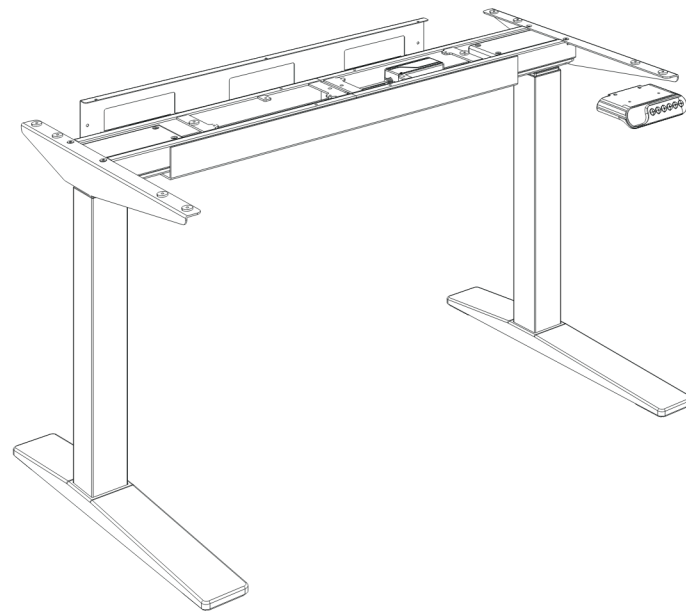


JUVIVO

SS3-B1

Installation Guide



Images are for reference only, please refer to the actual product. Please read this product manual carefully before use and keep it properly!

Edition: First Edition, March 2025

INSTRUCTIONS FOR USE

Execution standards

Q/NLG004 Height-Adjustable Desk Industry Standard

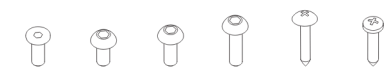
Technical Data

Column stage	3
Max. Load Capacity	231.5 lbs
Max. Speed	1.0"/s
Lowest Height	25.0"
Highest Height	50.6"
Applicable Tabletop Size	Length: 47.2" - 78.7" Width: 23.6" - 31.5" Thickness: >0.7"

Product List

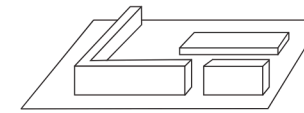
Accessory List

Note: The line drawings below are for reference only and may differ slightly from the physical product in some cases. Please refer to the actual product for accuracy. If any tools are missing or there are problems with installation, please contact customer service.

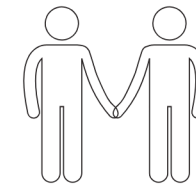


Ax4 Bx4 Cx8 Dx8 Ex12 Fx3

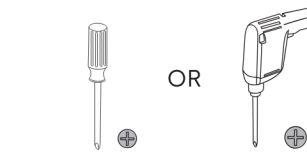
Installation preparation



Install on carpet to prevent scratches



Need two or more people to cooperate together



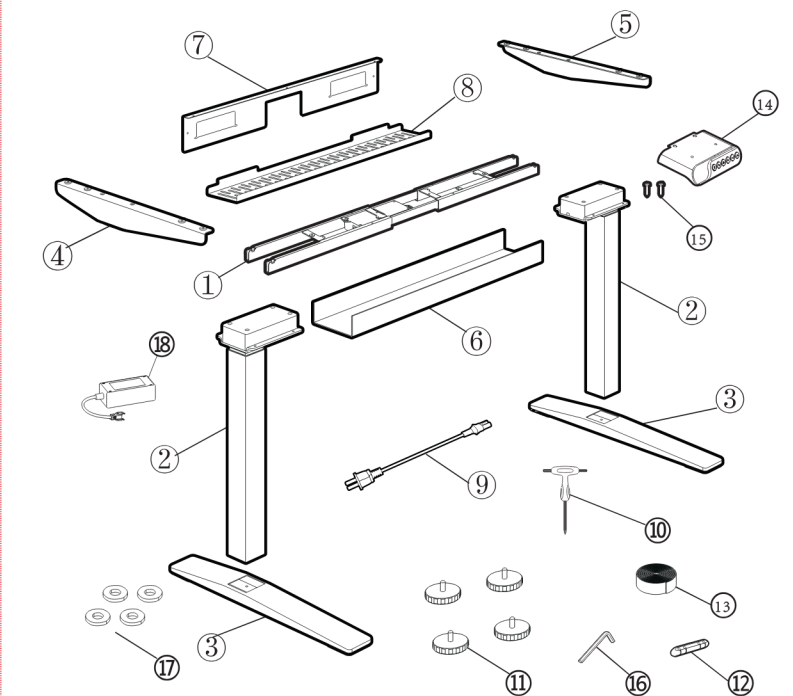
It's suggested to have Phillips screwdriver or electric drill ready

Part list

	Part
①	Support Beam Assembly x 1
②	Table Leg x2
③	Table Foot x2
④	Left Support Plate x1
⑤	Right Support Plate x1
⑥	Cable Cover x1
⑦	Cable Guide Bracket x1
⑧	Cable Tray x1
⑨	Power Cord x1

	Part
⑩	T-shaped Wrench x1
⑪	Foot Pad x4
⑫	Cable Manager x1
⑬	Magic Tape x1
⑭	Remote Control x1
⑮	Remote Control Screws x2
⑯	4x4 Wrench x1
⑰	Shock Absorbing Pad x4
⑱	Adapter x1

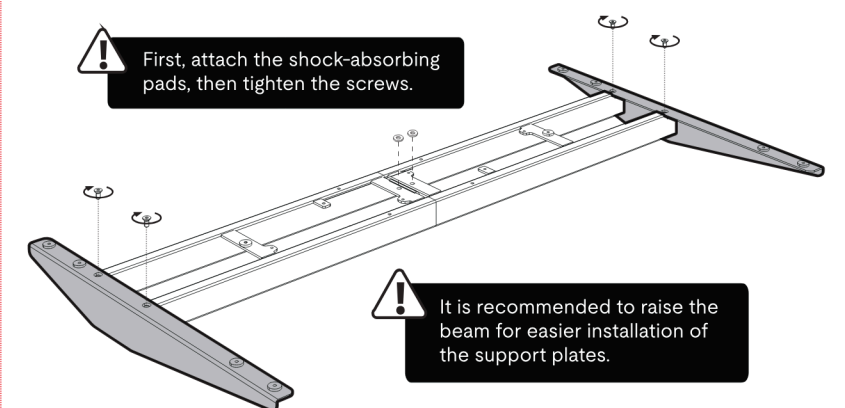
Installation diagram



INSTALLATION STEPS

Step 1

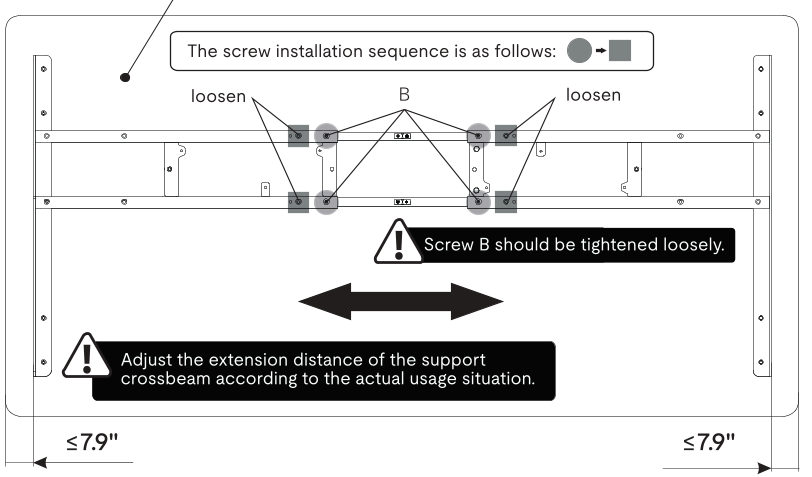
Install the left and right support plates



Step 2 Adjust the beam

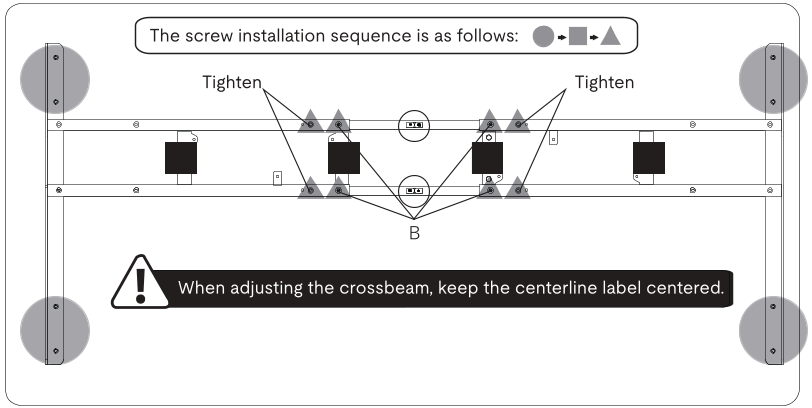
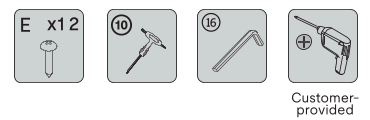


This desktop is self-provided. Please ensure the desktop has sufficient strength, with 231.5 lbs as a reference value. The actual usage should depend on the specific material of the wood.

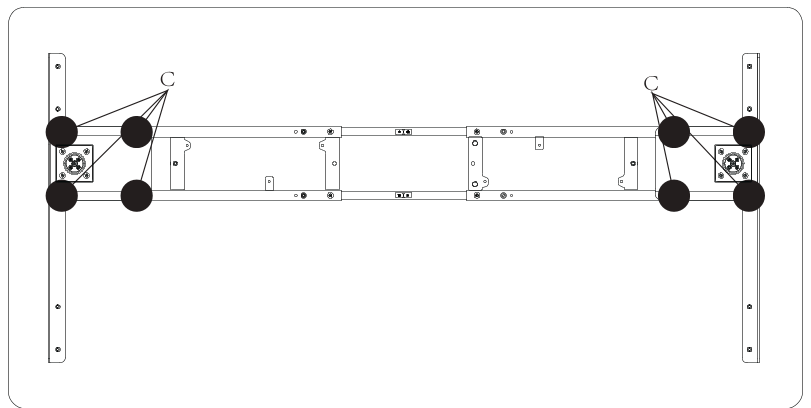
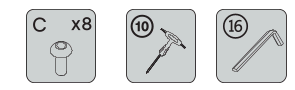


! The distance from the support plate to the edge of the desktop should not exceed 79".

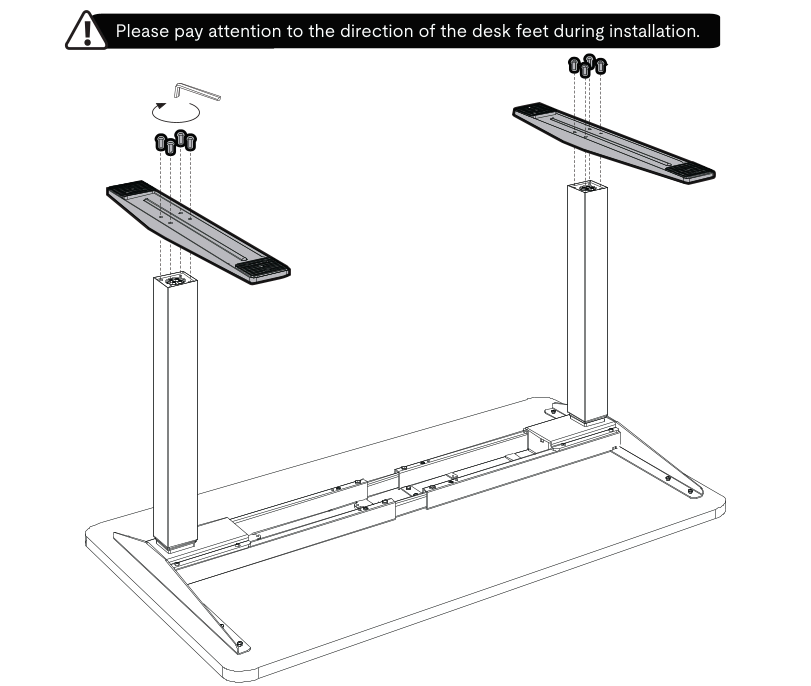
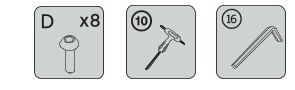
Step 3 Install the desktop



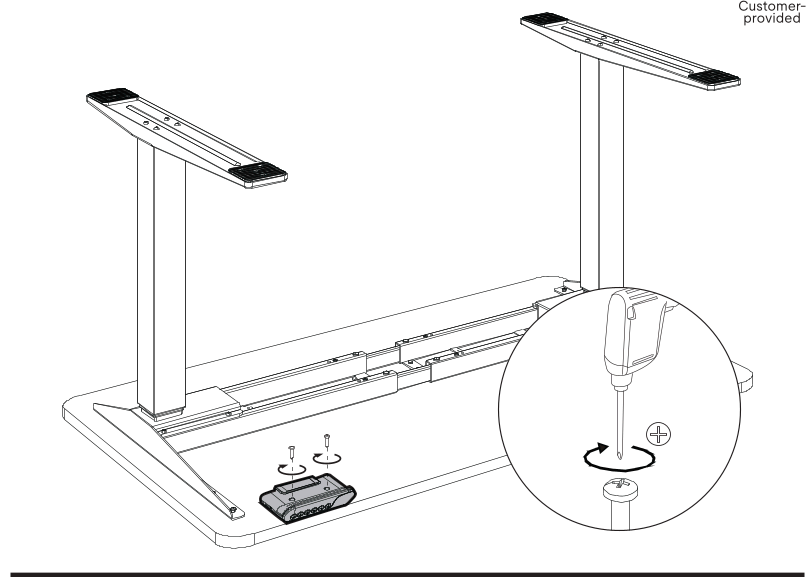
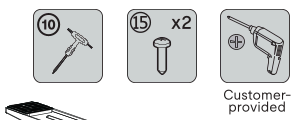
Step 4 Installing the desk legs



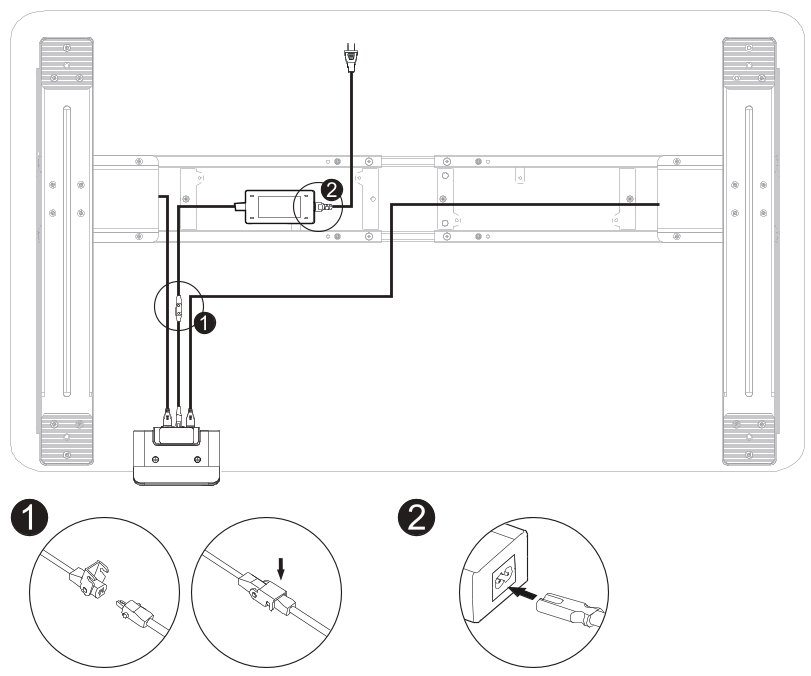
Step 5 Installing the desk feet



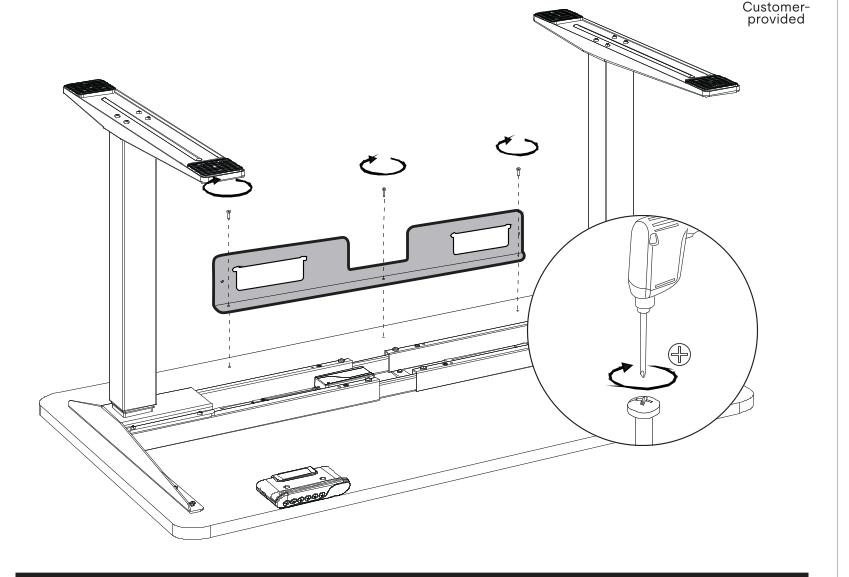
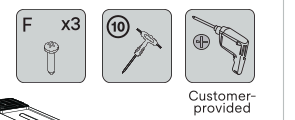
Step 6 Install the Hand Control



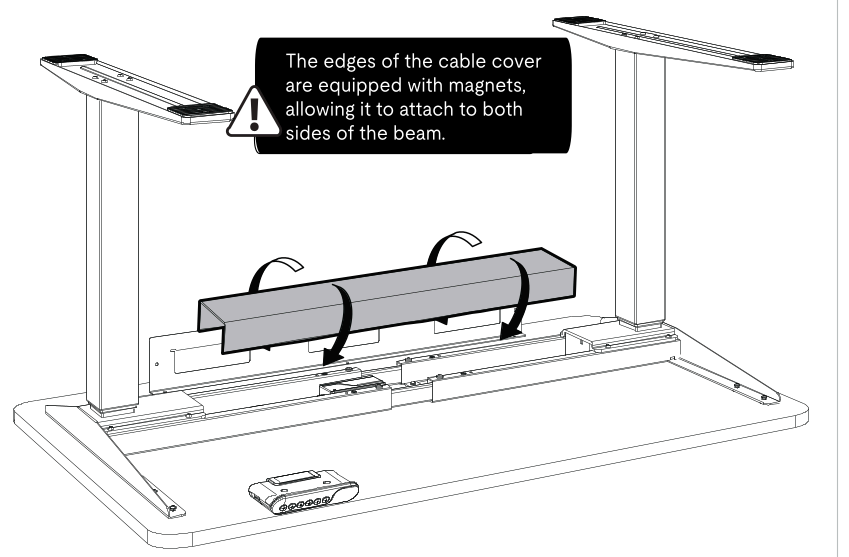
Step 7 Connect the power cable



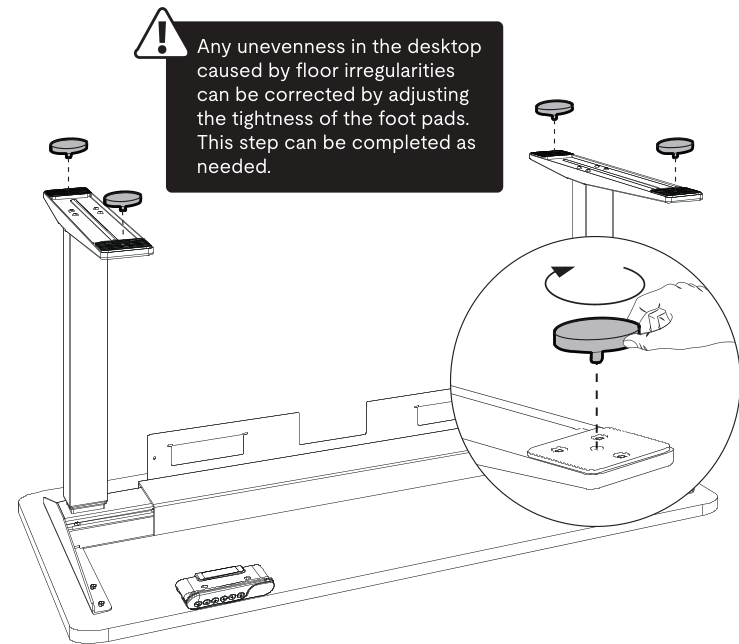
Step 8 Install the Cable Tray Bracket



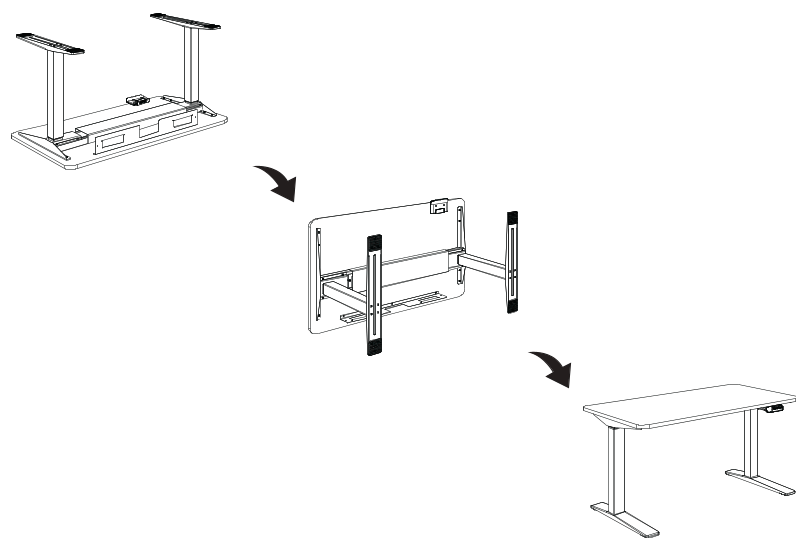
Step 9 Install the Cable Cover



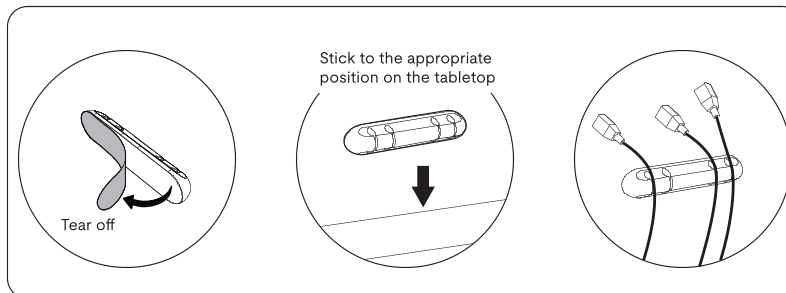
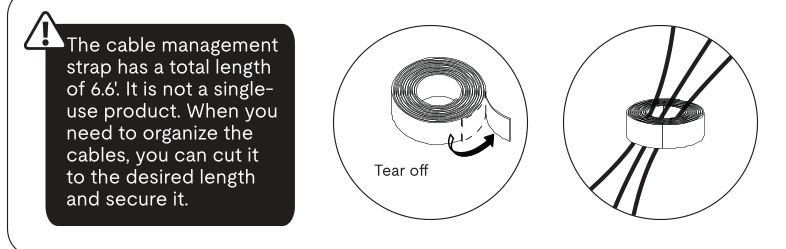
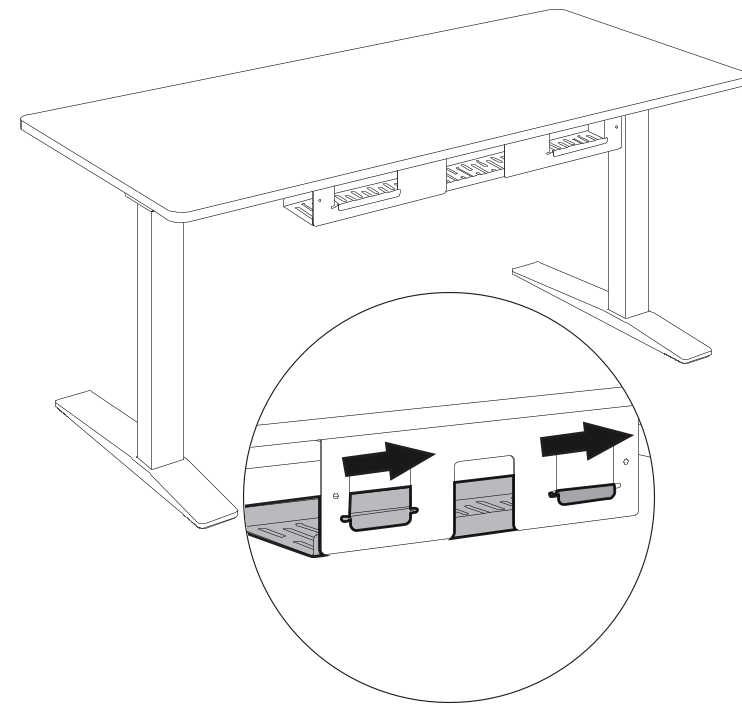
Step 10 Install the Floor mats



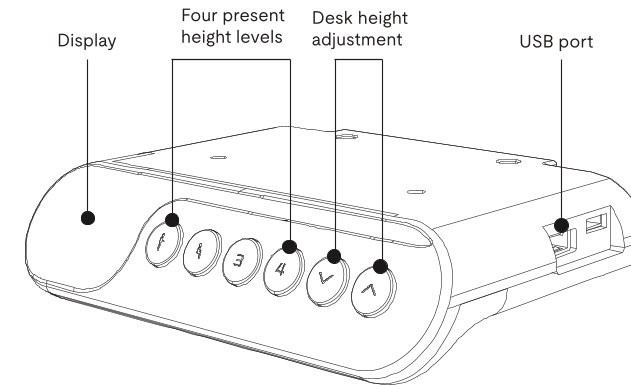
Step 11 Flip the desk



Step 12 Install the cable tray



USER INSTRUCTIONS



Note

Ensure that there are no obstacles blocking the movement of the table during the lifting process and confirm that all cables are long enough for the table to move up and down.

Suggestion

Set the most comfortable height when sitting as "1" and the most comfortable height when standing as "4". Additional preset heights can be freely set to other heights.

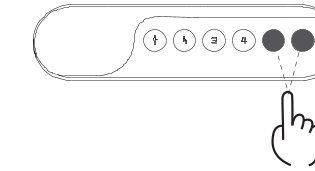
Fast Charging Features:

Safety: Built-in over-temperature protection, over-current protection, short-circuit protection, and output interface current-limiting protection, ensuring the product operates within a safe current range.
Compatibility: The product is compatible with mainstream smartphones and laptops, allowing fast charging for these devices.

Output Parameters:

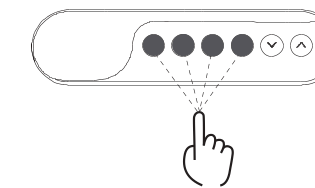
1. Single USB Type-C Output: MAX 45W, 5V=3A, 9V=3A, 12V=3A, 15V=3A, 20V=2.25A
2. Single USB Type-A Output: MAX 27W, 5V=2A, 9V=2A, 12V=1.5A, 15V=1.8A, 20V=0.9A, compatible with Xiaomi CHARGE TURBO, Huawei FCP/SCP, and Samsung AFC protocols.
3. When both Type-C and Type-A are connected, the output voltage drops to 5V to power the device, MAX 22.5W.
4. Note: The charging function will be disabled while the desk is raising or lowering. The charging function resumes when the desk stops moving.

● Height Adjustment Function:



By pressing the "↓" or "↑" button, you can adjust the height of the desk upwards or downwards. The current height will be displayed on the screen.

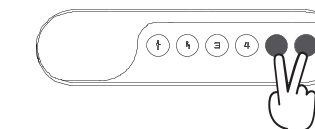
● Memory Height Function:



a. When the desk is stationary, press and hold button "1" for 3s. The display will show "5-1", indicating that the current height has been saved successfully. After moving the desk to any height, press button "1" to automatically return to the saved memory height.

b. Buttons "2", "3", and "4" have the same memory height function as button "1". Repeat the above steps to save the corresponding height, then press the button to automatically return to the saved memory height.

● Obstacle Reversal Sensitivity Adjustment:

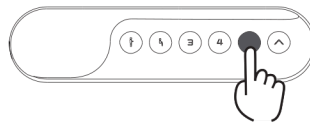


a. Press and hold "↓" and "↑" buttons for 5 seconds to switch sensitivity. Each operation changes the sensitivity level, with 4 levels: R-3, R-2, R-1, R-0.

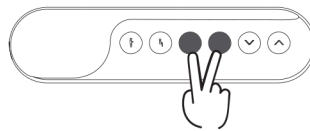
b. The display will show "R-0" to turn off the obstacle reversal function; "R-1" for low sensitivity; "R-2" for medium sensitivity; "R-3" for high sensitivity.

c. If the desk encounters an obstacle during ascent or descent, it will immediately reverse direction for protection.

● **Reset Function:**

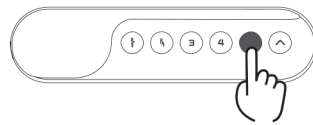


a. When the display shows " r 5t ", the desk enters reset mode. Press and hold the " √ " button until the desk reaches the lowest position and rebounds to stop. The display will show the height value. Release the down button " √ " to complete the reset.



b. When the desk is stationary, press and hold both buttons " 3 " and " 4 " for 3s to enter reset mode. Follow the above steps to complete the reset. After the reset, the saved heights will be cleared.

● **Code Handling:**



1. If the display shows " E01 " or " E02 ", let the desk rest for more than 18 minutes before using it again.

2. If other codes appear and pressing the down button " √ " has no response, please check that the connection cables are undamaged and properly connected. Disconnect the power for more than 10 seconds, then reconnect it. When the display shows " r 5t ", press and hold the down button " √ " to reset.

3. If the desk still does not function properly after performing the above steps, please contact customer service.

COMMON EXCEPTION HANDLING

The following tips will help you detect and resolve common exceptions and errors. If you encounter an exception that is not listed in the table below or if the following actions do not resolve the issue, please contact your supplier. All these exceptions or errors can only be investigated and corrected by the manufacturer or trained personnel.

Exception Phenomena	Handling Methods
Electronic functions are not operating normally	Check if the connection cables are properly connected;
Slow rising speed	Check if the load is too heavy, exceeding 231.5 lbs;
Device is sliding down	
Device frequently enters reset mode	Perform a reset operation;
Only goes down or only goes up	
Insufficient height adjustment for rising and lowering	
Bottom cannot rise	Disconnet power for 18 minutes before reconnecting;
After exceeding the operating cycle requirements. (Duty cycle:Max 2min on/18min OFF)	
Pressing the down key causes the device to rise instead	Check for obstacles under the desk or if any cables are hanging down;

! ATTENTION

1. Power Supply: AC100V-240V, frequency 50/60Hz
2. Usage Environment: Indoor temperature 0-40°C (32-104°F)
3. Before cleaning, always unplug the power supply. Use a slightly damp cloth to wipe the surface dust. Be careful not to let water droplets enter the internal components, avoid damaging the connection cables, and do not touch loose connections. Regularly check for loose screws and tighten them as needed.
4. The electrical box contains electronic components, metal, plastic, wires, etc. Dispose of these items according to the environmental regulations of your country, and do not treat them as regular household waste.
5. Before using the product, please carefully check to ensure that it is fully correctly installed. Installation should only be done using the parts provided by the manufacturer. When placing the product, ensure there is enough clearance to prevent the risk of pinching injuries.
6. Before using the product for the first time, familiarize yourself with all functions and program settings.
7. Children are not allowed to play on or around this product. Unpredictable behavior can lead to dangerous consequences, for which the manufacturer is not responsible.
8. light noise from the multi-ribbed belt or braking system due to structural reasons will not affect the use of the equipment.
9. Do not use corrosive or abrasive materials to clean the equipment. Ensure any cleaning agents used will not damage the surface or internal components.
10. When aware of the associated risks, children aged 14 or under, as well as individuals with physical or sensory impairments or mental disabilities, should use the product under proper supervision and guidance. Children should not interact with the product unsupervised.
11. Children should not perform cleaning and user maintenance without supervision.
12. If the power cord is damaged, it must be replaced by the manufacturer or qualified professionals to avoid injury.
13. Ensure your operating environment is free of hazards. Do not leave tools lying around, and handle packaging materials with care to avoid potential dangers, such as suffocation risks from children playing with plastic bags.
14. When moving the desk, ensure it is clear of items, drawers and doors are securely closed, screws are tight, and the power plug is disconnected. It should be moved by two or more people, and keep the original packaging for future transport if necessary.
15. For long-term storage, unplug the device, clear away any loose items, and store in a cool, dry place.
16. This product contains small parts that pose a choking hazard if swallowed. Keep these small components out of reach of children.

300 Goddard, Irvine, CA 92618

inquiry@flexispotpro.com

www.flexispotpro.com

+1(888)868-8446

Recycling and Disposal



This product cannot be disposed of as household waste. To prevent damage to the environment, this product should be recycled. Please use the relevant recycling systems available to you or contract the distributor or manufacturer for recycling assistance.