

This product features an assembly design. Please follow the instructions below for proper assembly.
All the necessary components listed below are included in the packaging.

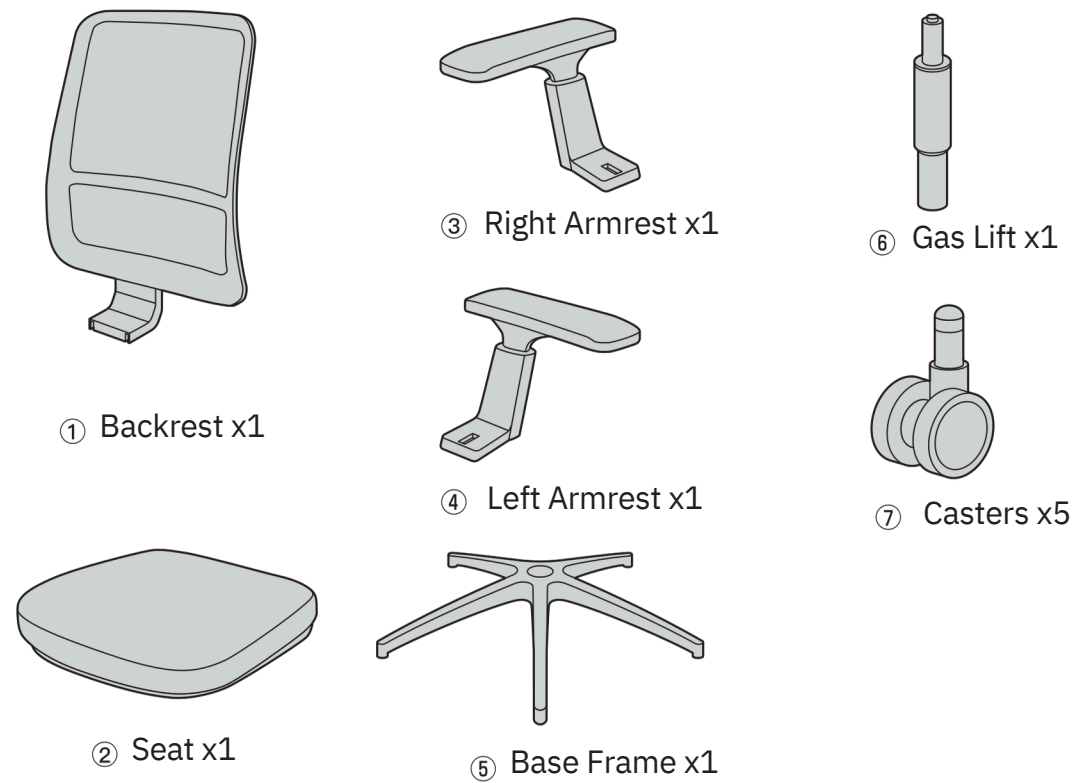
JUVIVO

OC390-Mesh-G3-1-BK

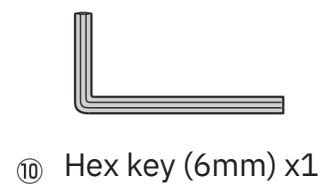
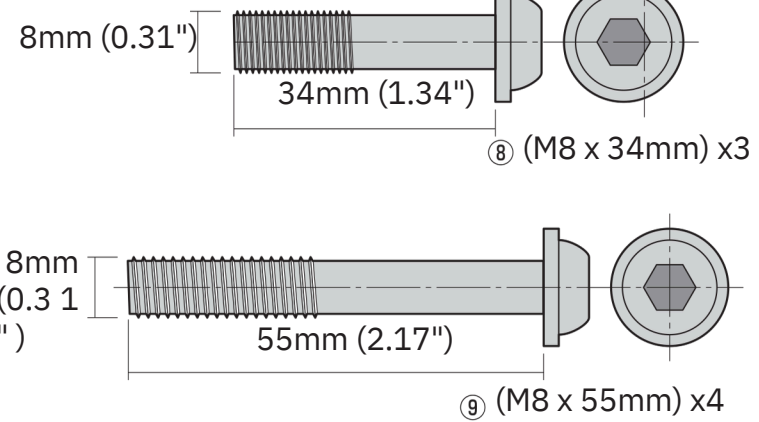
Final Assembly Diagram



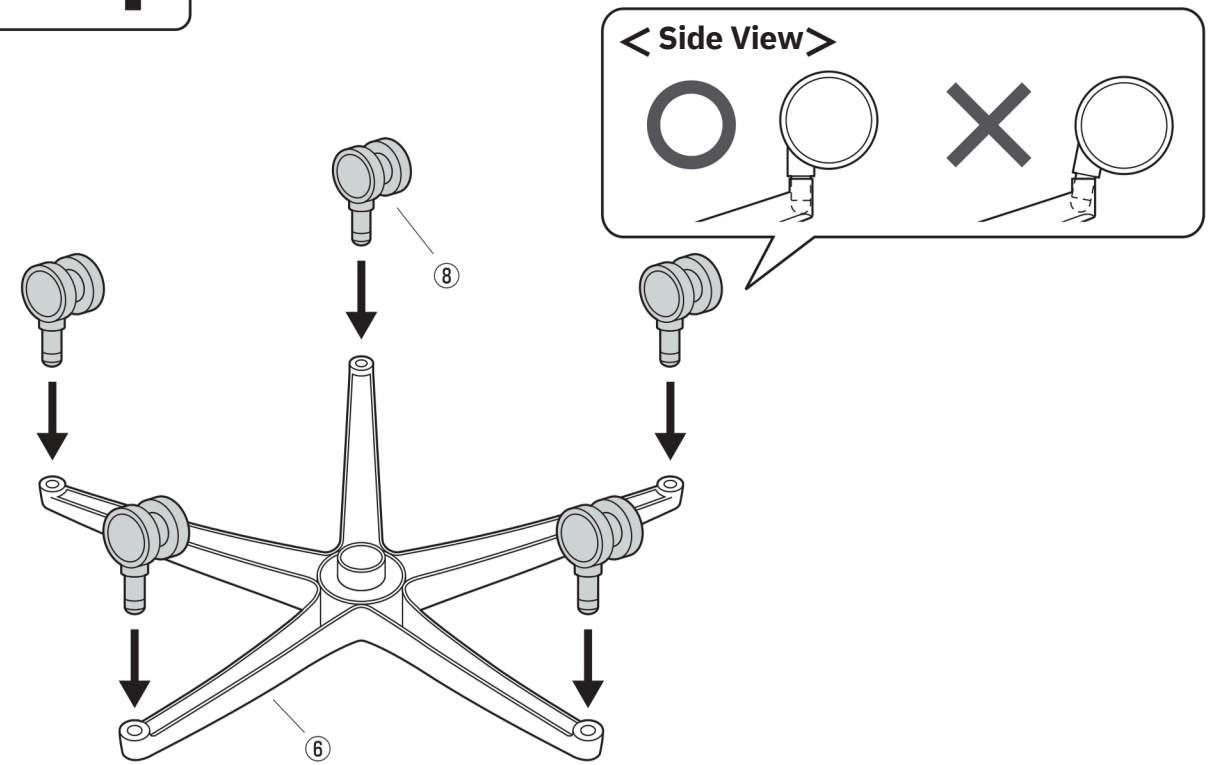
Components



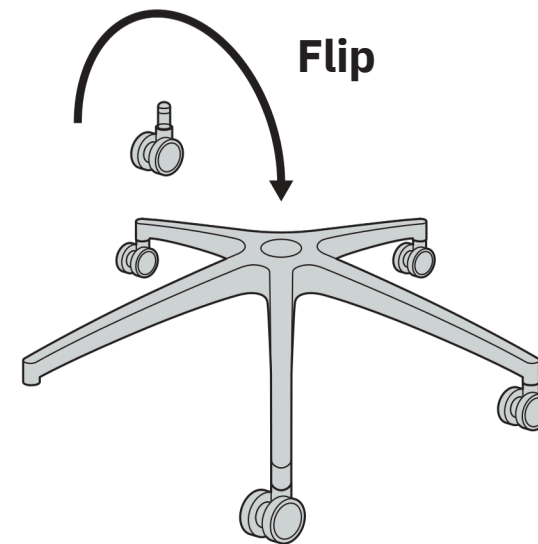
Screw Types



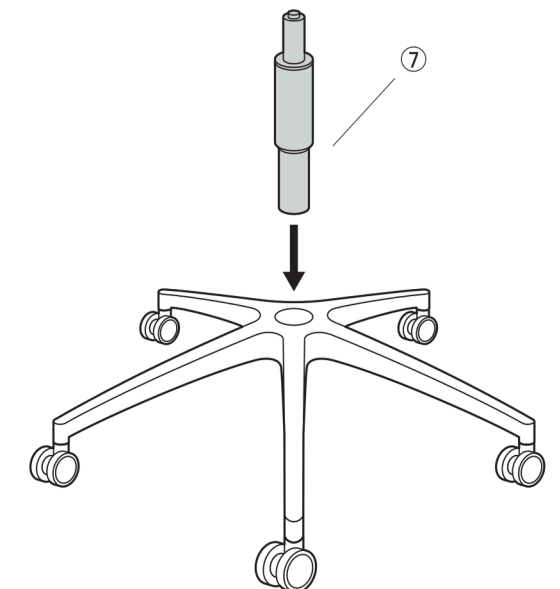
Step 1



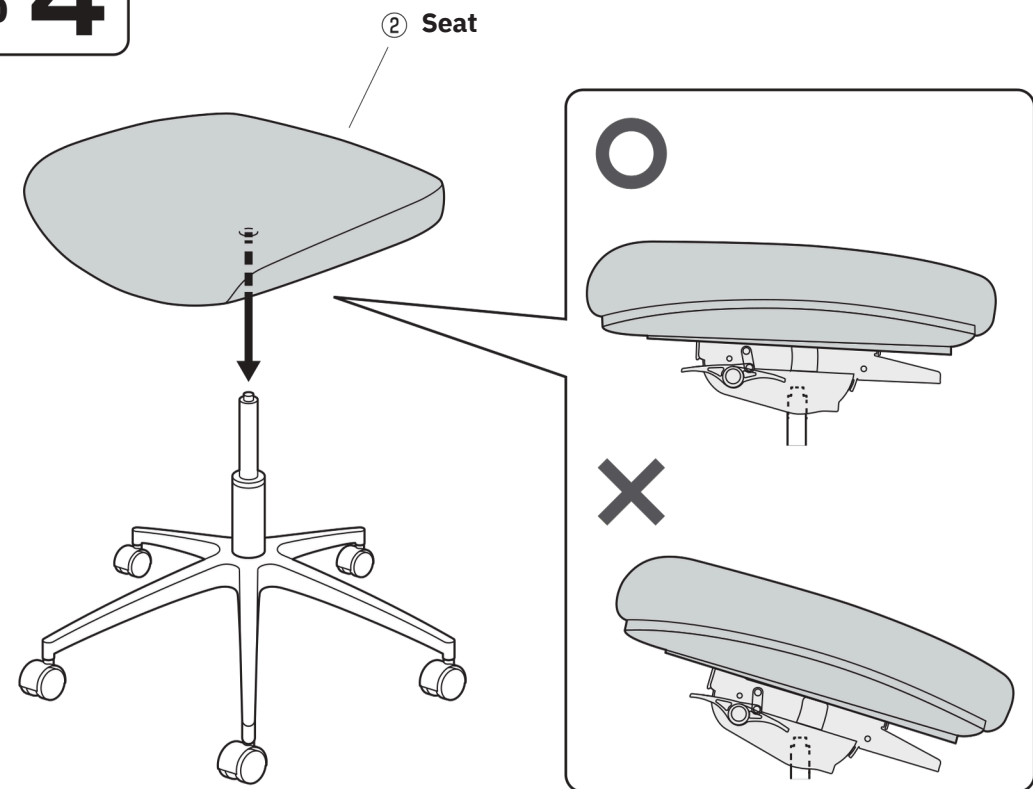
Step 2



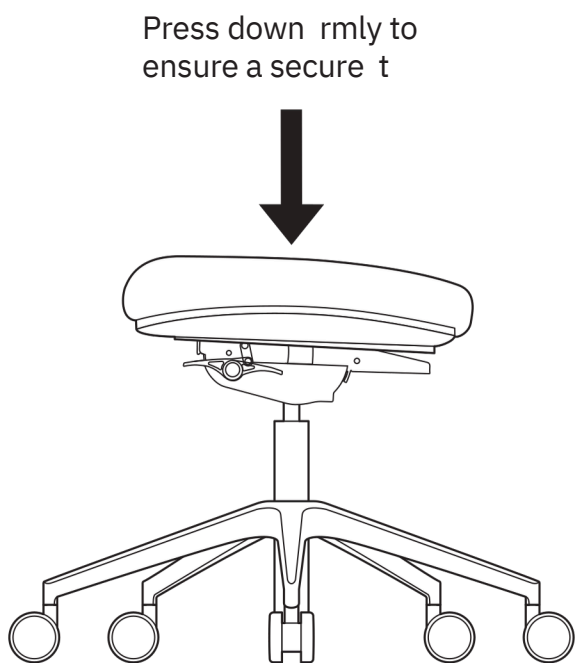
Step 3



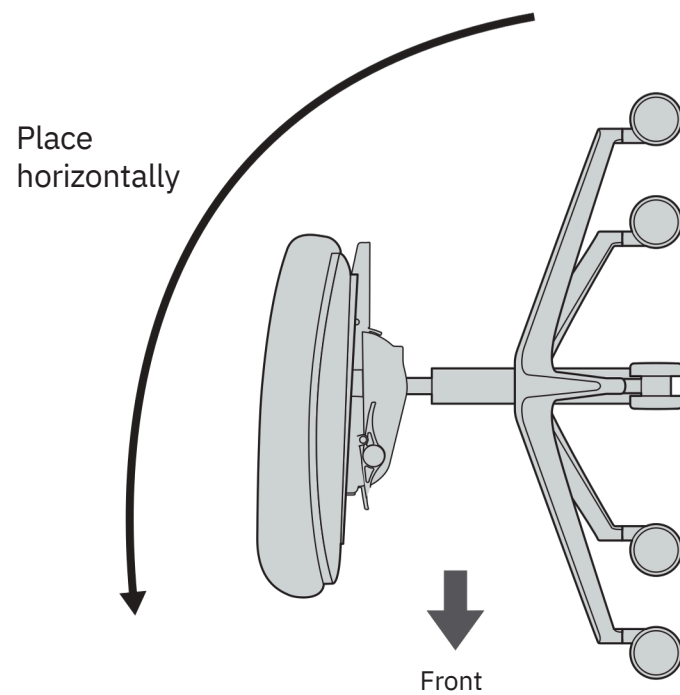
Step 4



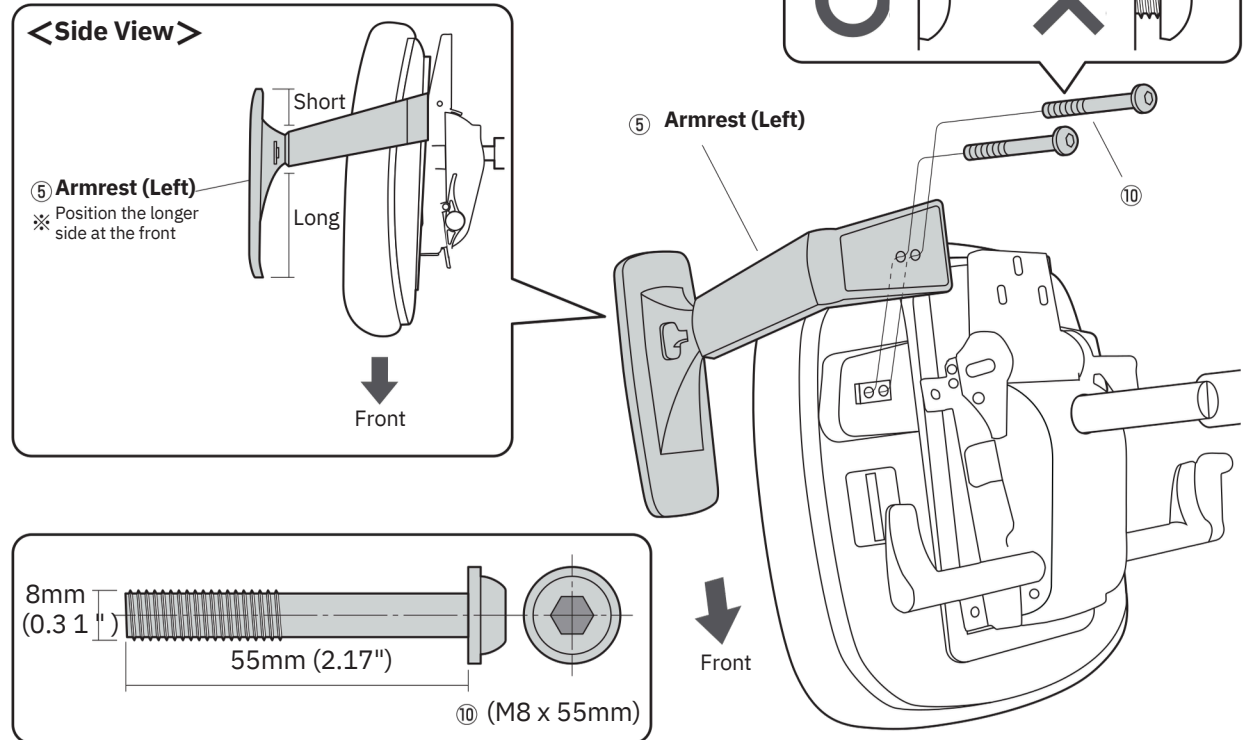
Step 5



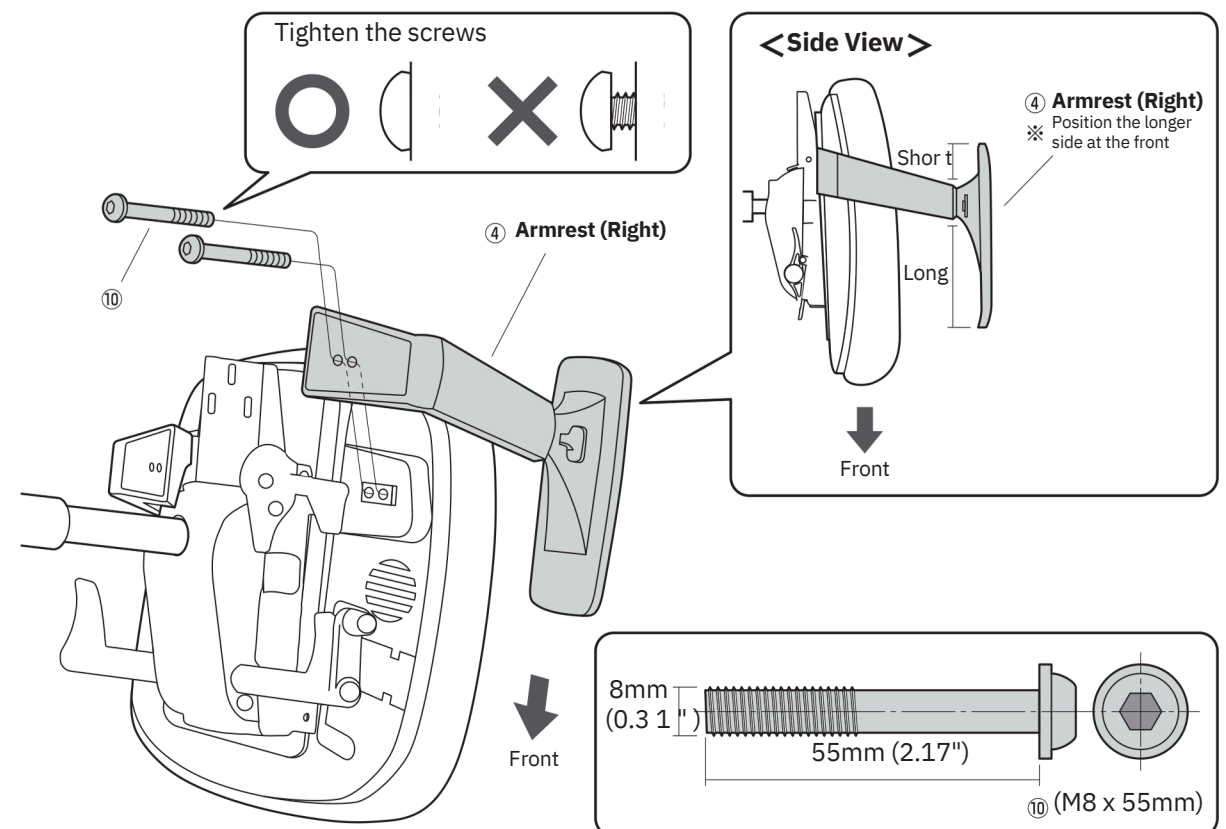
Step 6



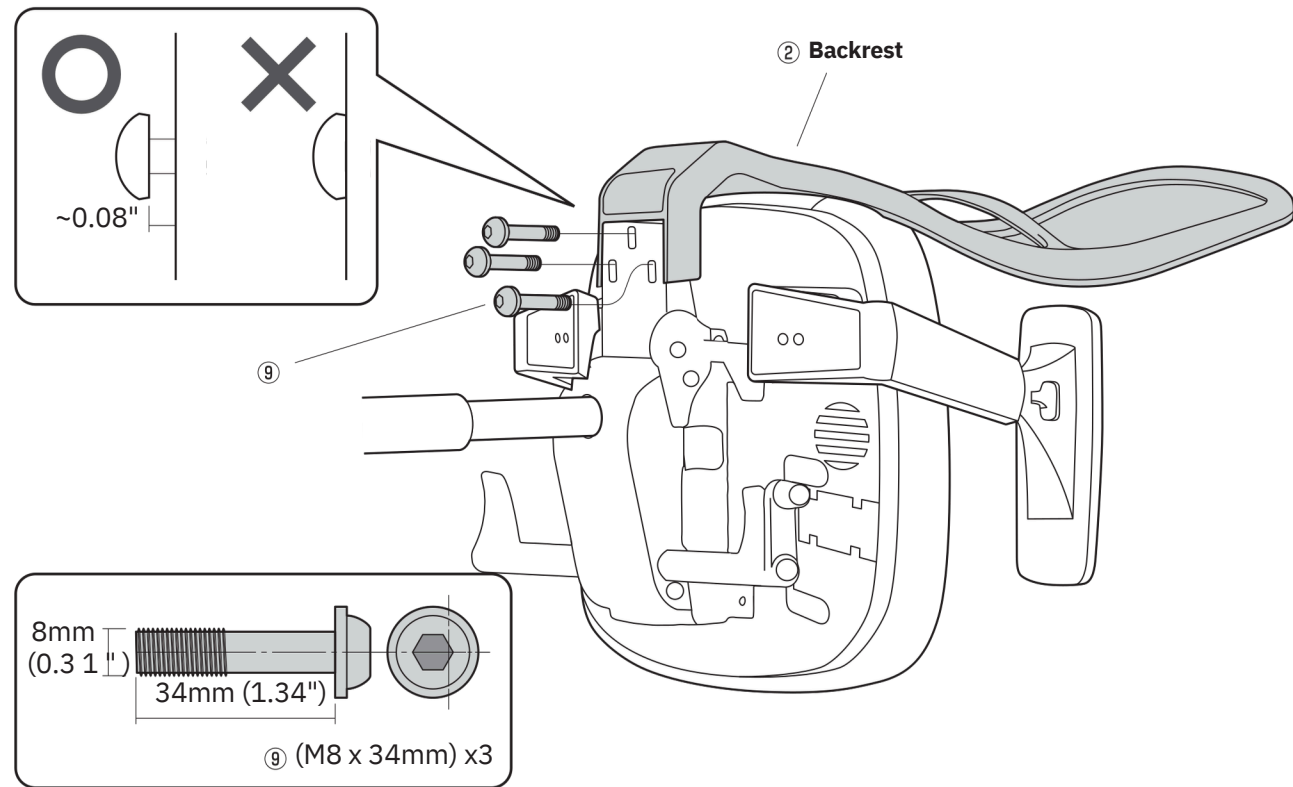
Step 7



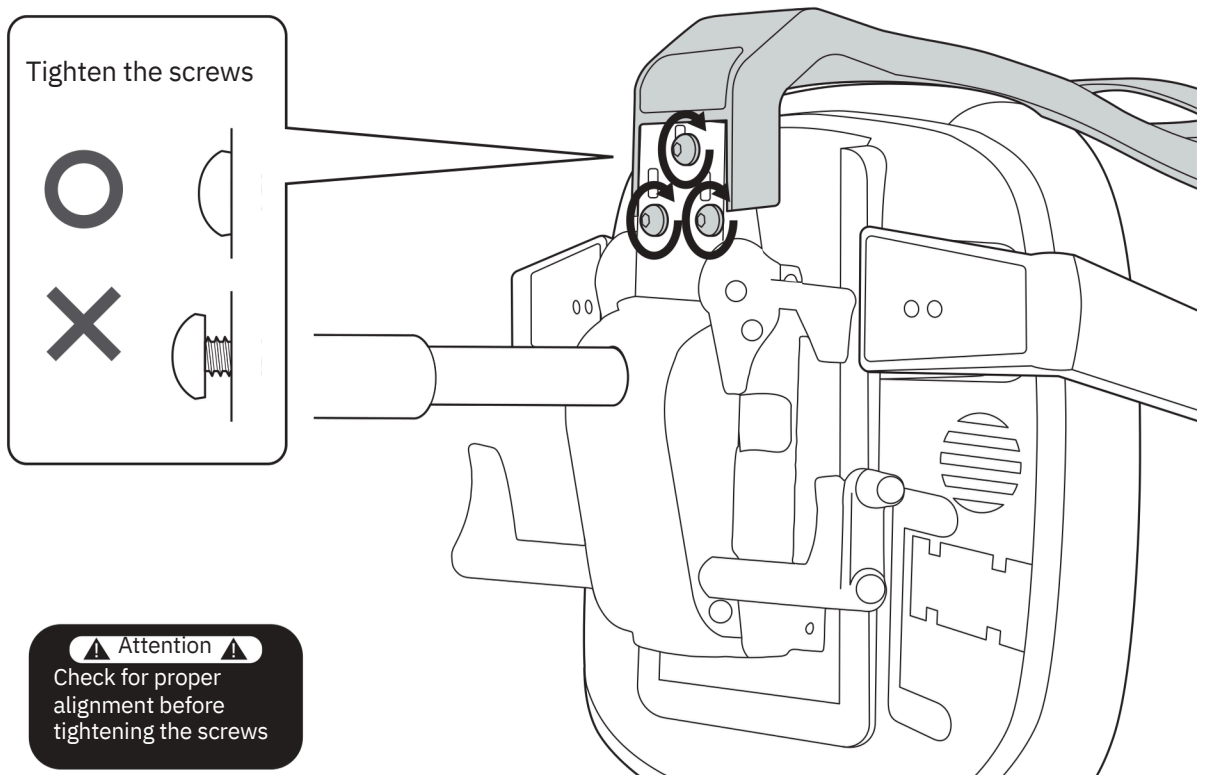
Step 8



Step 9



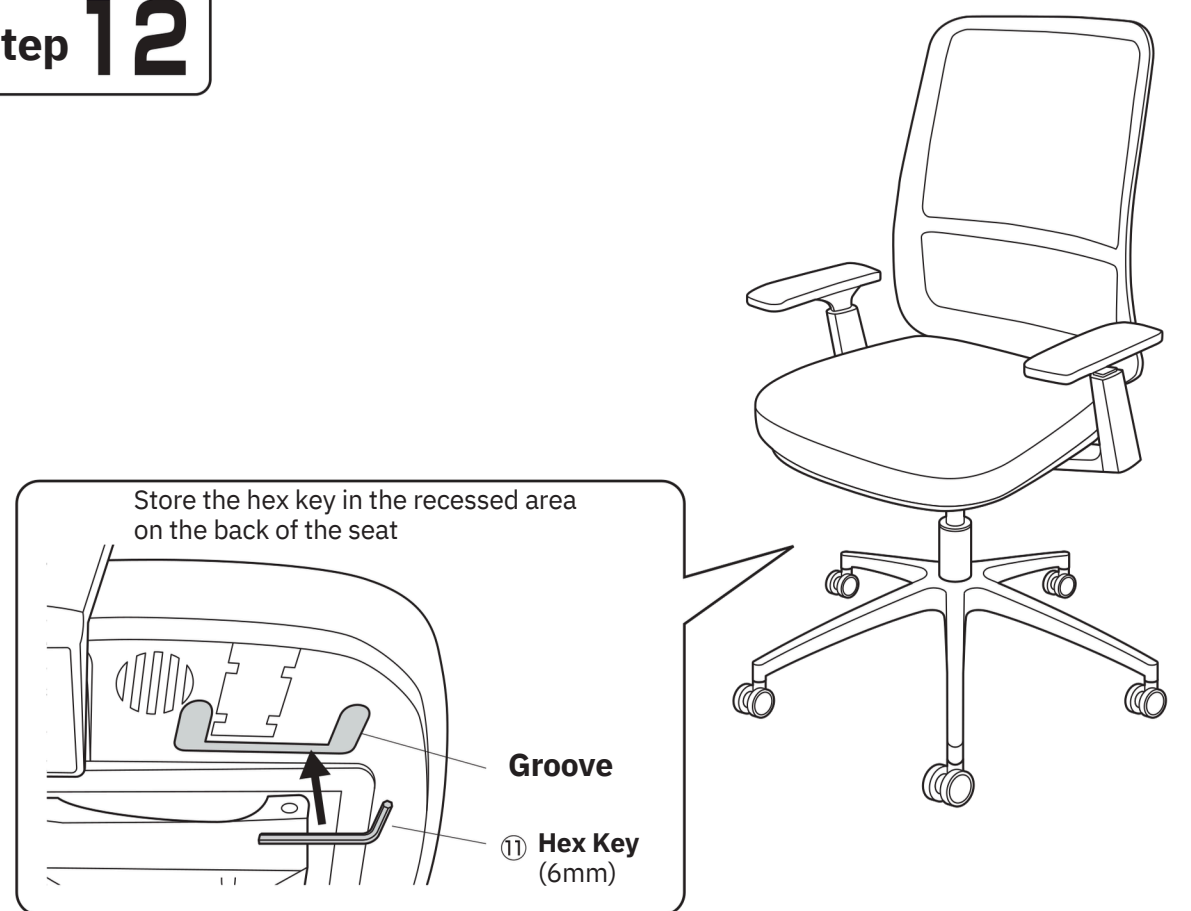
Step 10



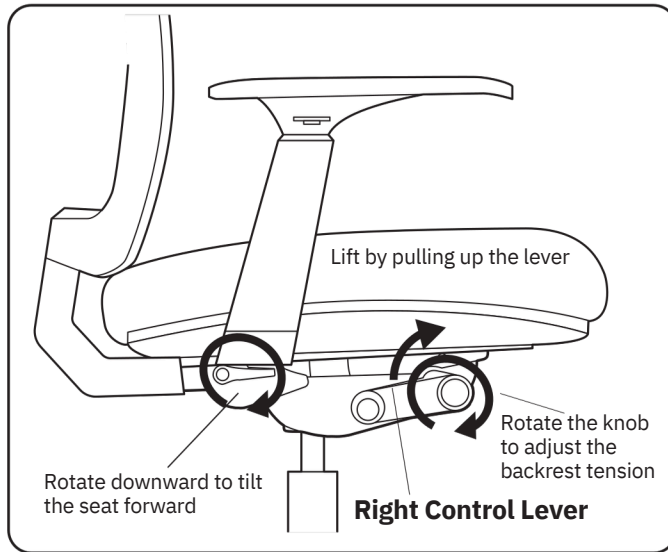
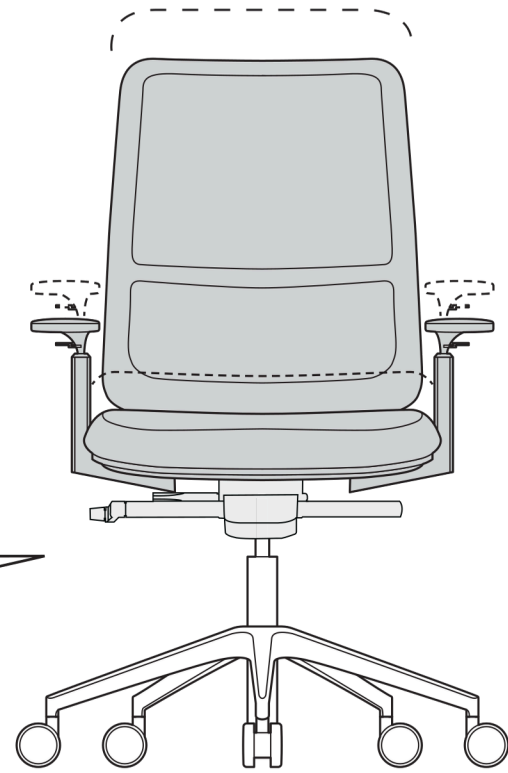
Step 11



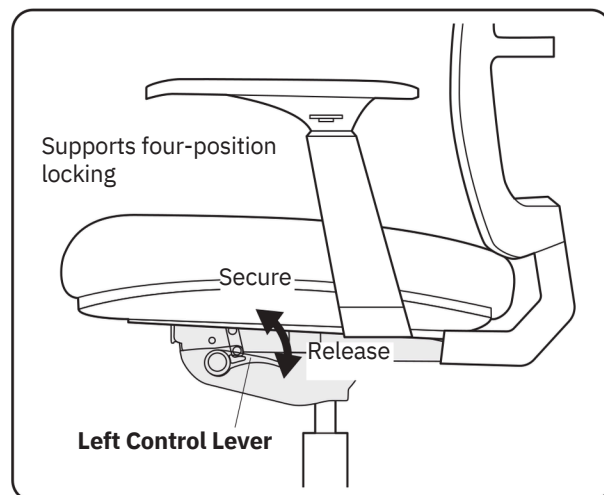
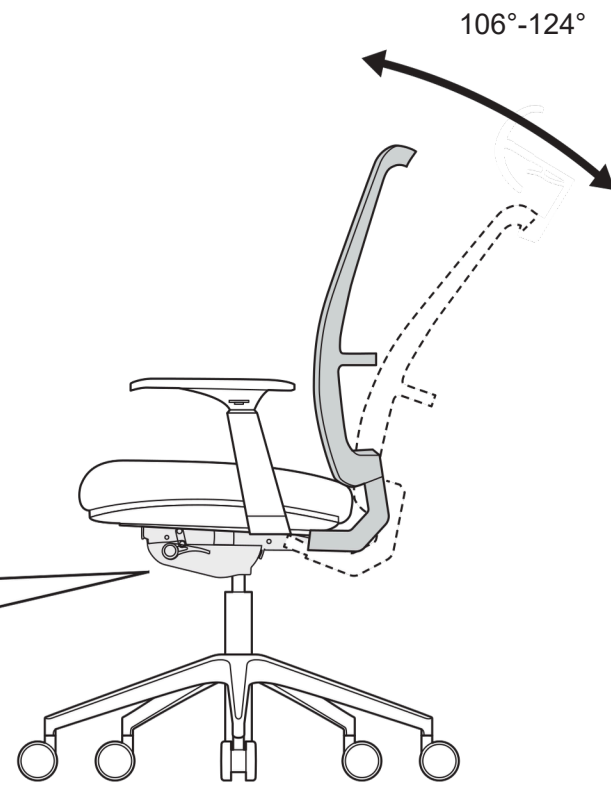
Step 12



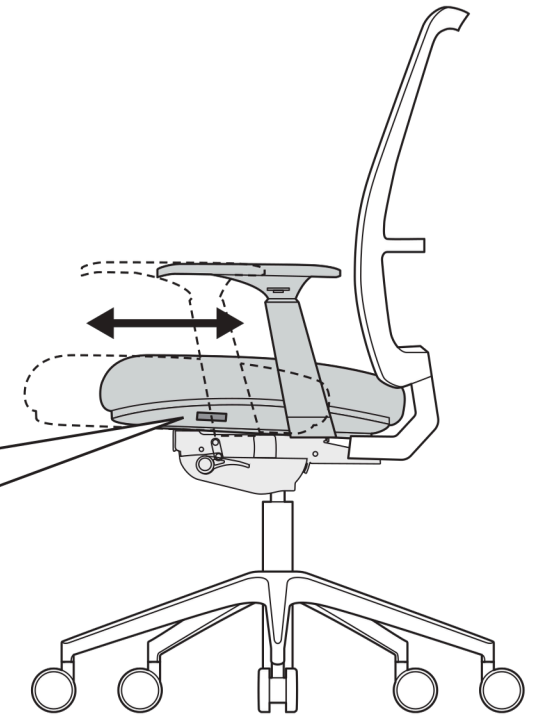
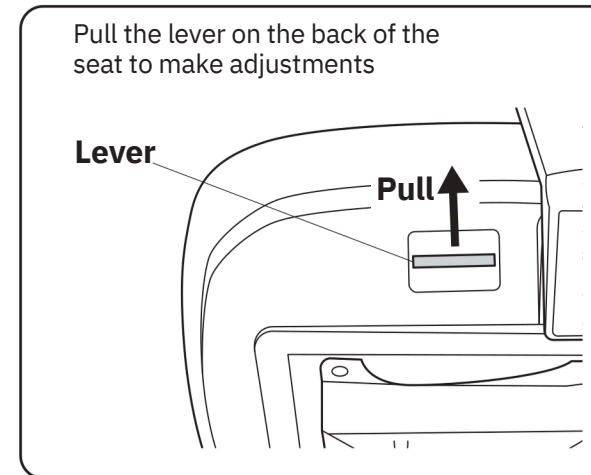
Right Control Lever



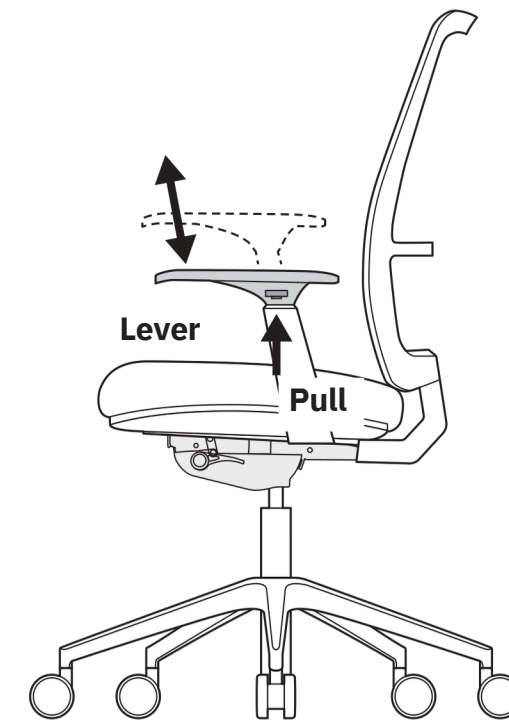
Left Control Lever

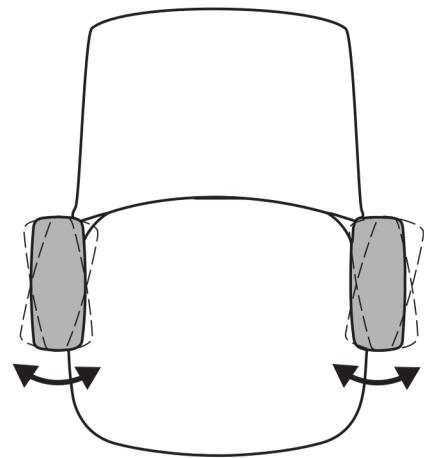


Seat Depth Adjustment



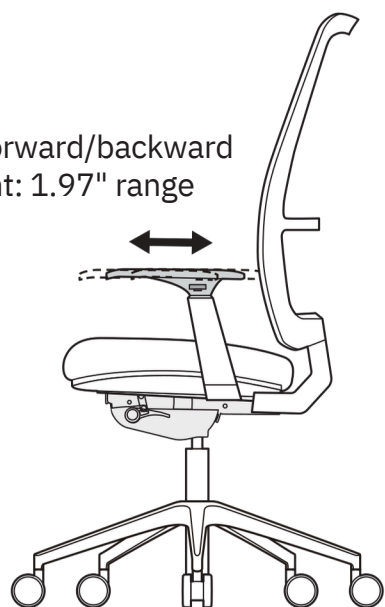
Armrest Height Adjustment



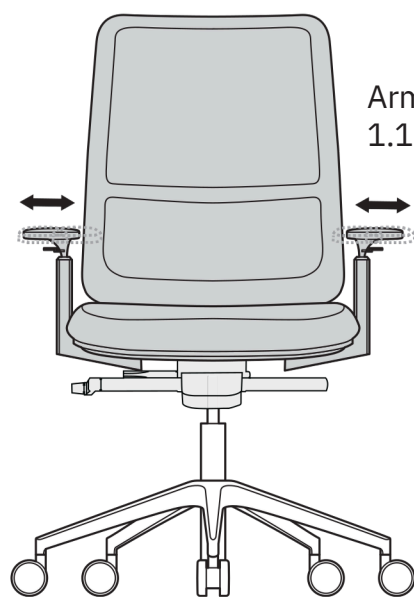


Armrest can swivel left and right
Allows 30° swivel movement to the left and right

Armrest forward/backward
adjustment: 1.97" range



Armrest left/right adjustment:
1.18" range



Rotate downward to
tilt the seat forward



Turn the knob to control
the backrest tension



Lift the lever to adjust
the height

