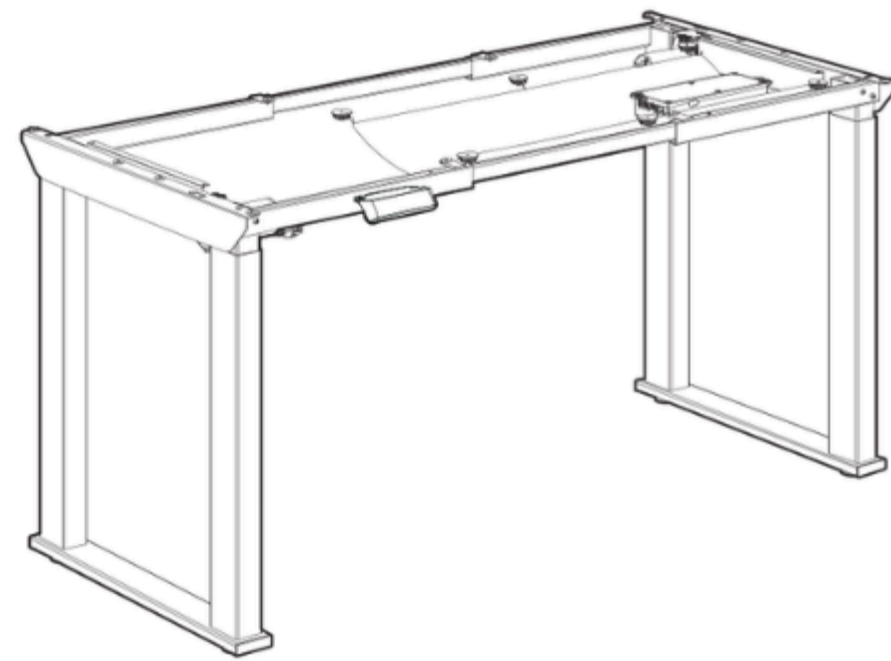


# JUVIVO

## QS2-B3

### Installation guide



Images are for reference only, please refer to the actual product. Please read this product manual carefully before use and keep it properly!

Edition: First Edition, January 2025

### INSTRUCTIONS FOR USE

#### Main material

Main materials	Use section
Carbon Steel	Desk leg, column, beam, support plate, panel
Copper	Wire core, motor wire core
Plastic	Foot pad, Friction pad, Pipe plug, Hand control housing, Control box housing
Lubricating Grease	Column inner and outer tube, screw
Plastic Powder	Column, beam, support plate, desk leg, panel

#### Execution standards

Q/NLG004 adjustable desk enterprise standard

#### Control indicators for harmful substance limits

##### 1. GB 18584 - Soluble heavy metals

Heavy metal content (color-limited liquid) mg/kg	Soluble Lead	≤90
	Soluble Cadmium	≤75
	Soluble Chromium	≤60
	Soluble Mercury	≤60

### Technical Data

number of column sections	2 sections
maximum load capacity	330.7 lbs
maximum speed	0.98"/s
minimum height	28.7"
maximum height	48.4"
stretch range	39.0" - 61.8"
Compatible with desk sizes	Length: 47.2" - 78.7" Width: 31.5" - 35.4" Thickness: > 0.71"

### PRODUCT LIST

#### Accessory package

Note: the following line drawings are for reference only and may differ from the actual product in some cases. Please refer to the actual product. If you find any missing tools or have installation issues, please contact customer service.



#### Installation preparation



Install on carpet to prevent scratches



It's suggested to have phillips screwdriver or electric drill ready

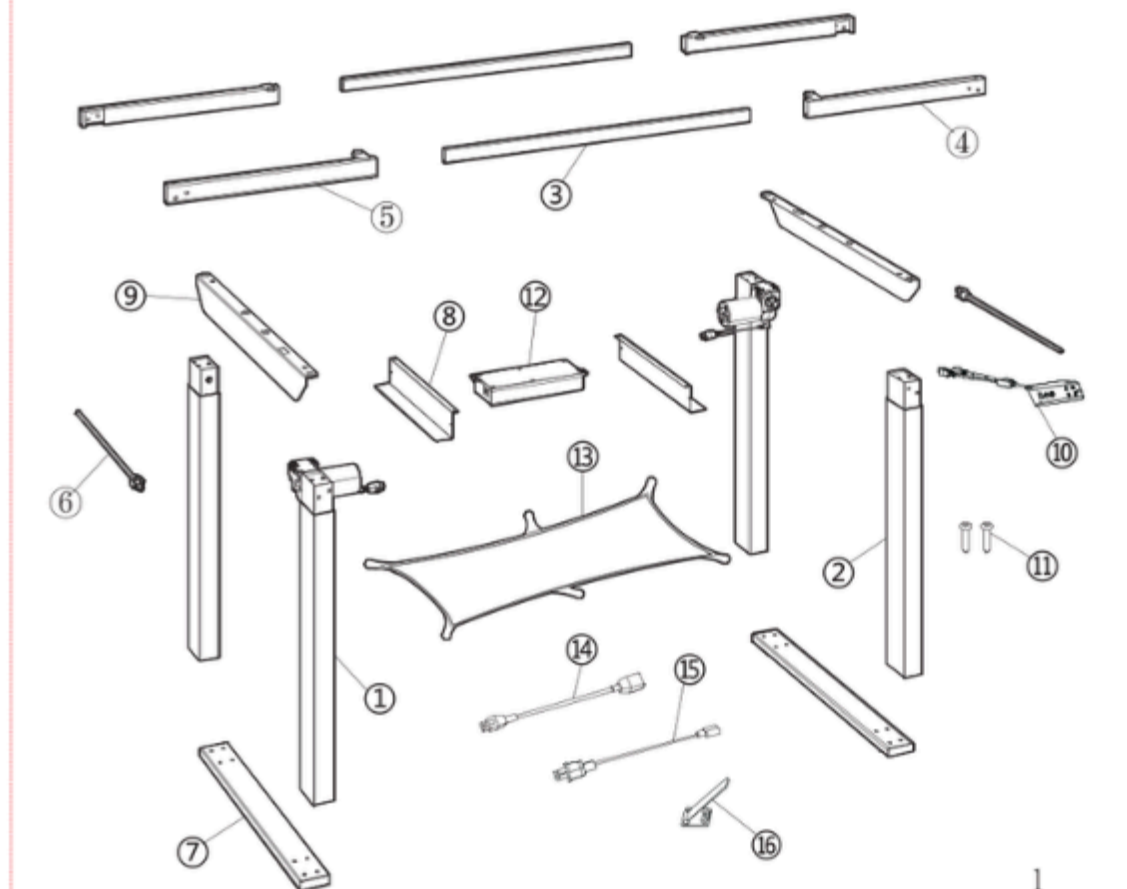


Need two or more people to cooperate together

### Part list

Part	Part
① Left desk leg (with motor) x 2	⑨ Support plate x 2
② Right desk leg x 2	⑩ Hand control x 1
③ Connecting rod x 2	⑪ Hand control screw x 2
④ Left crossbeam x 2	⑫ Control box x 1
⑤ Right crossbeam x 2	⑬ Mesh pouch x 1
⑥ Drive rod x 2	⑭ Motor extension cable x 1
⑦ Desk foot x 2	⑮ Power cable x 1
⑧ Baffle x 2	⑯ Cable clip x 4

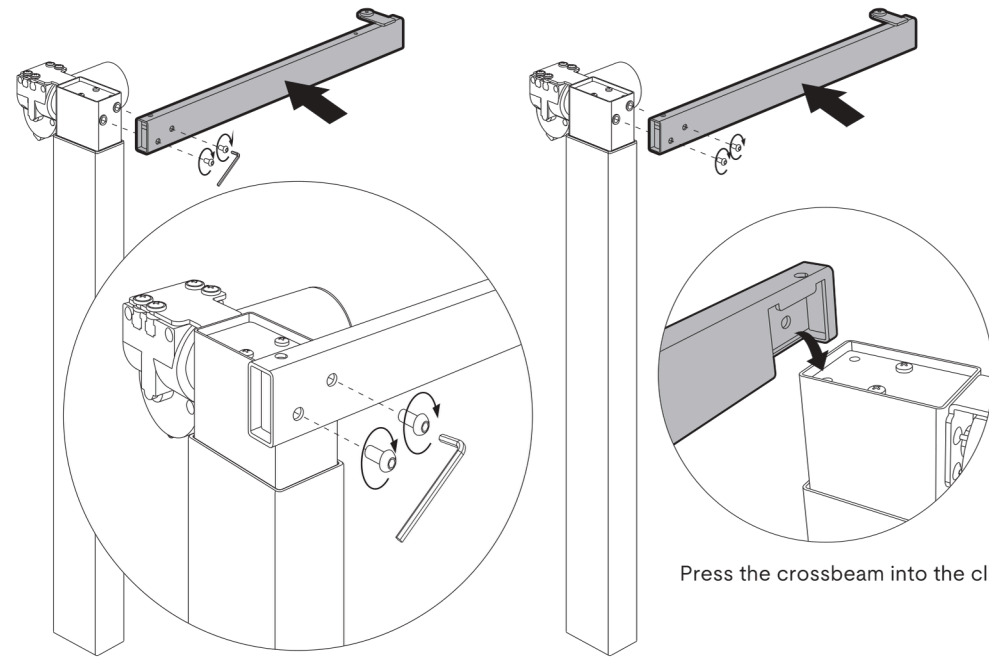
### Installation diagram



## INSTALLATION STEPS

**Step 1** Connect the left desk leg with the left crossbeam x 2

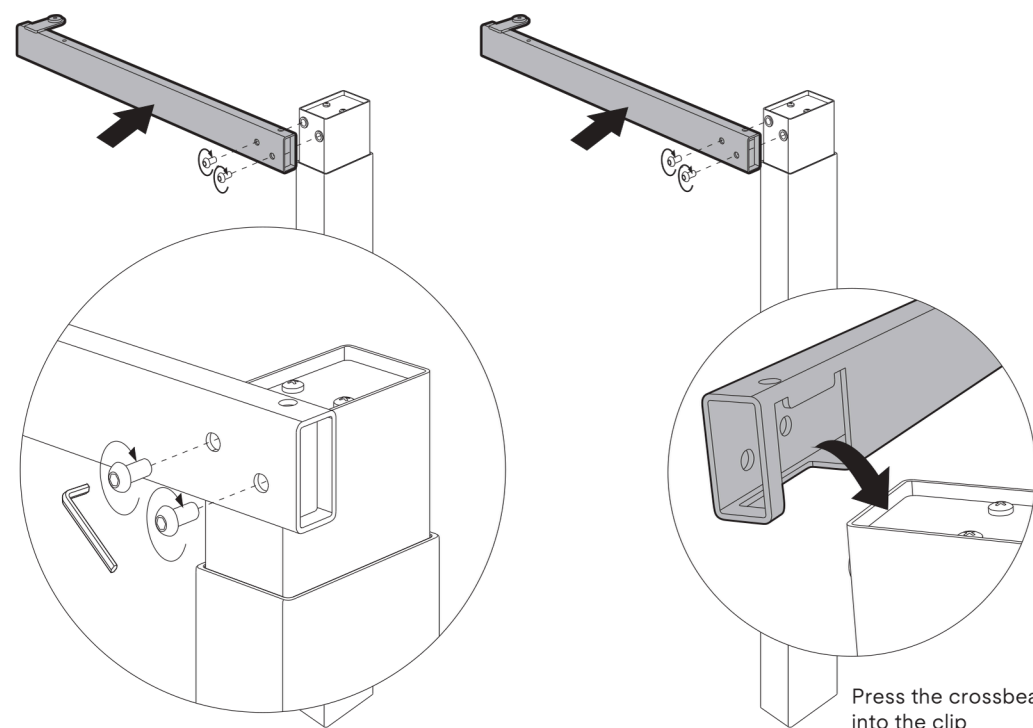
A x1  
4x4 C x4



Press the crossbeam into the clip

**Step 2** Connect the right desk leg with the right crossbeam x 2

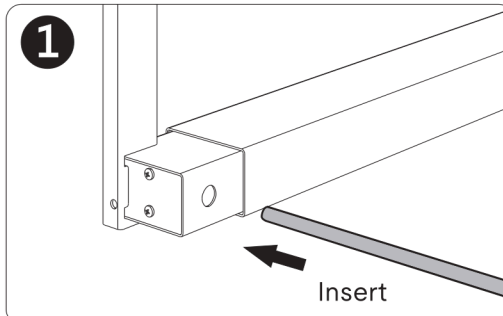
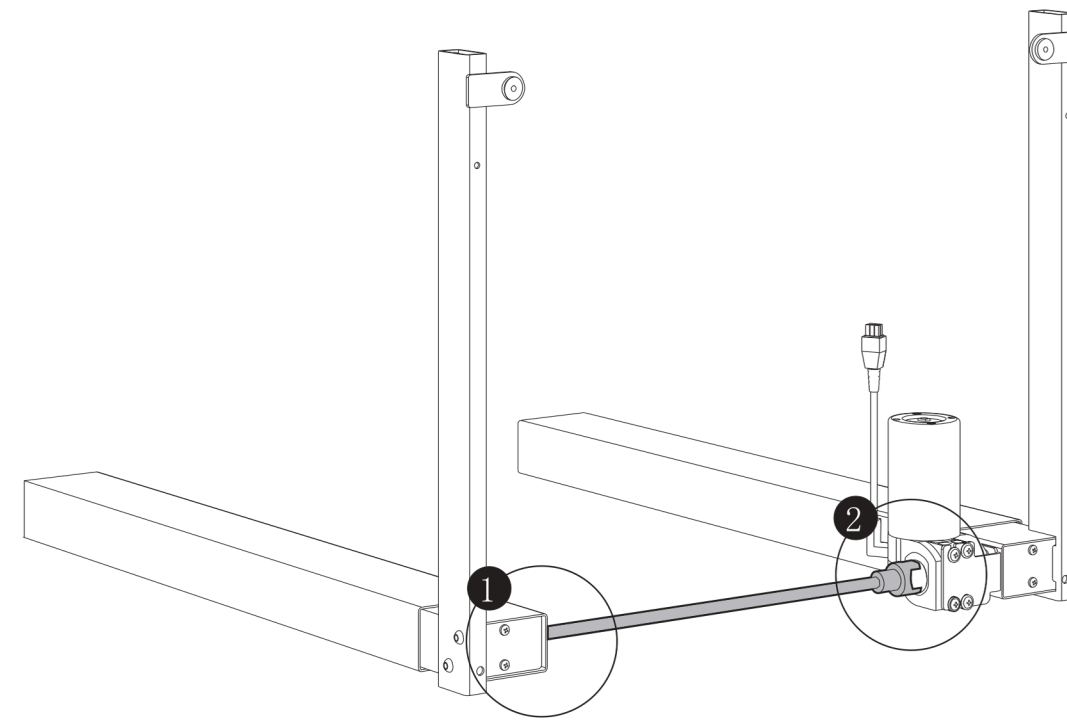
A x1  
4x4 C x4



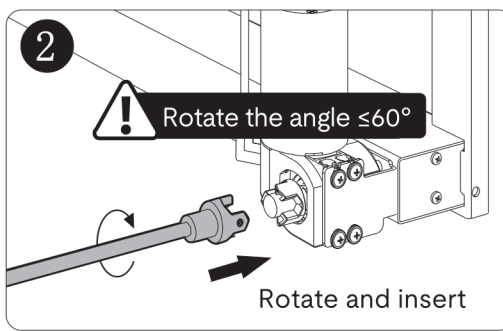
Press the crossbeam into the clip

**Step 3** Install the drive rod

A x1  
2.5X2.5

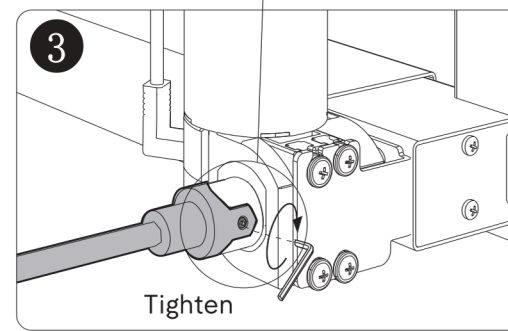


Insert



! Rotate the angle  $\leq 60^\circ$

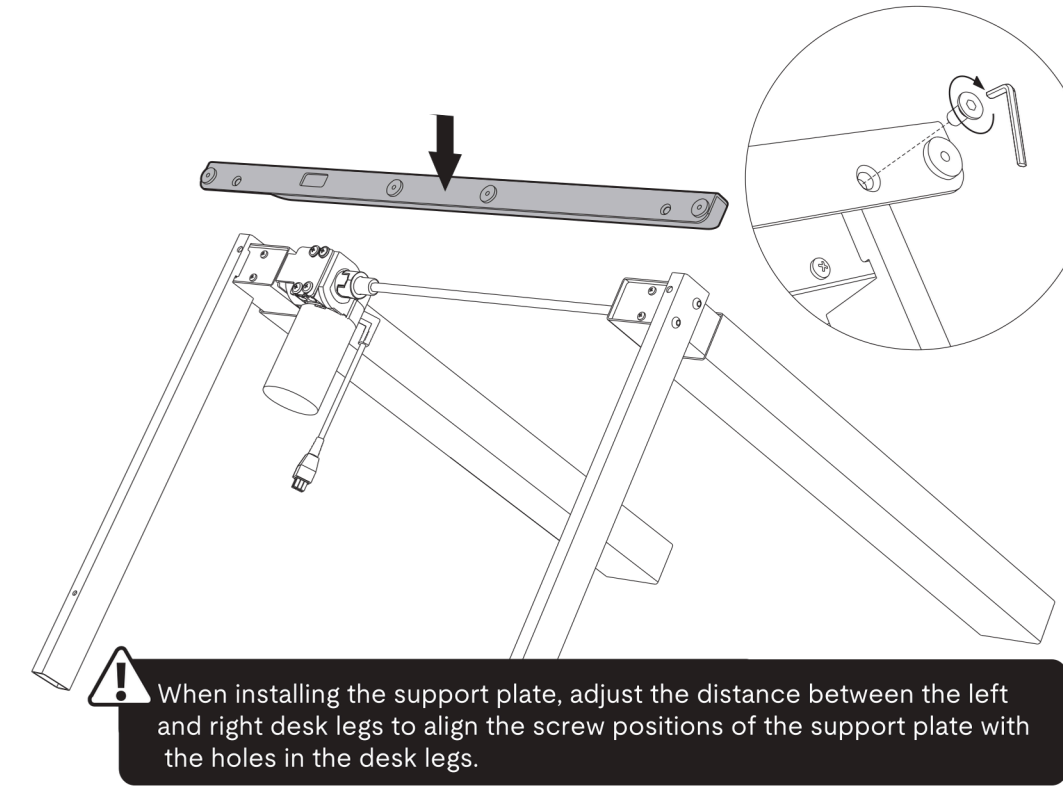
Rotate and insert



Tighten

**Step 4** Install the support plate

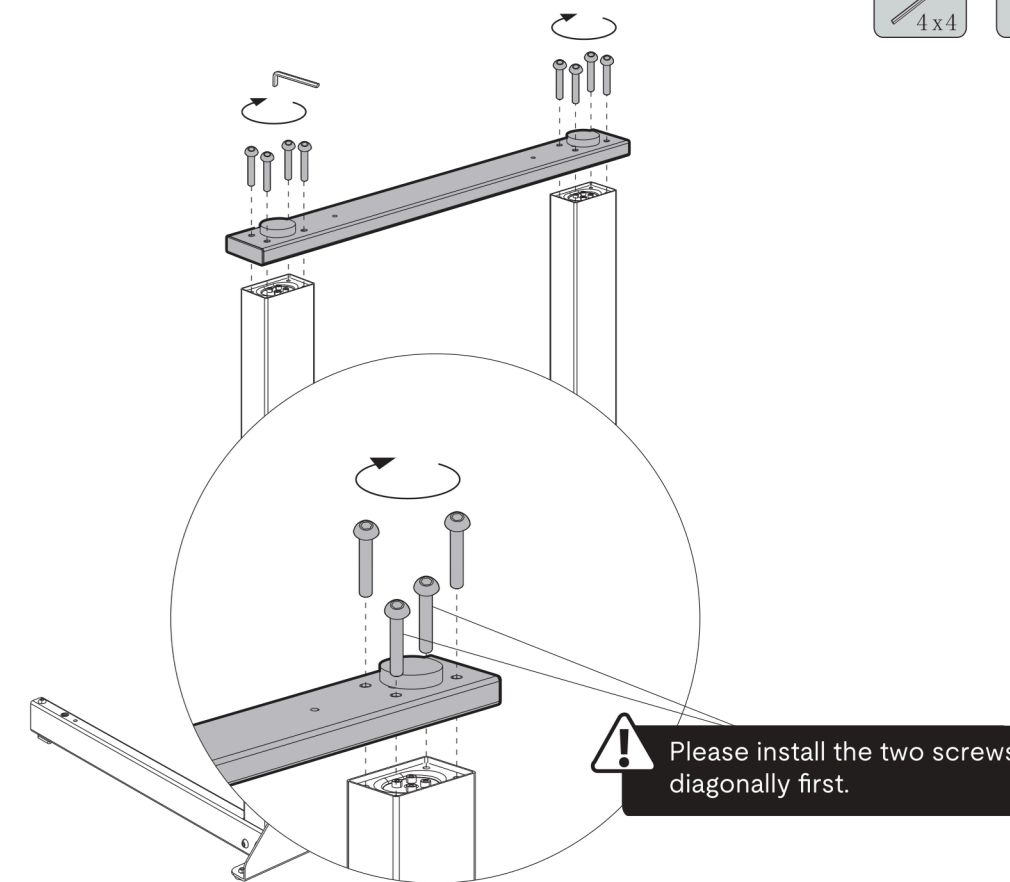
A x1  
4x4 B x2



! When installing the support plate, adjust the distance between the left and right desk legs to align the screw positions of the support plate with the holes in the desk legs.

**Step 5** Install the desk feet

A x1  
4x4 H x8

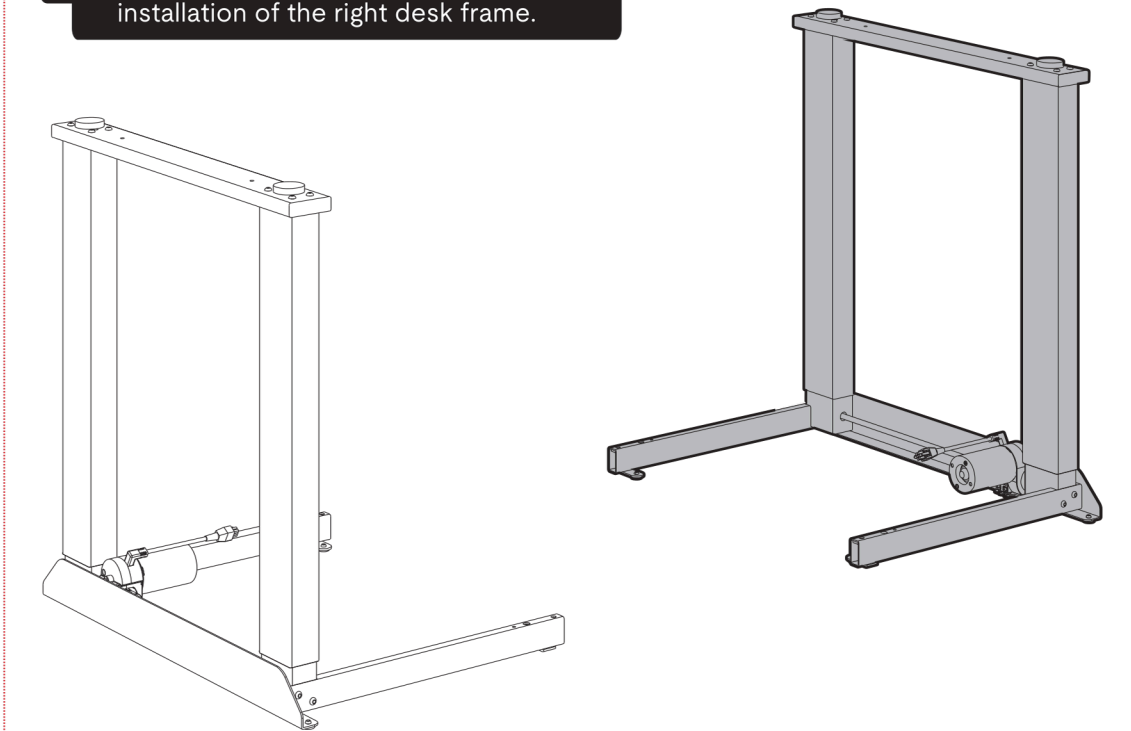


! Please install the two screws diagonally first.

**Step 6** Install the right desk frame

A x1  
2.5X2.5 A x1  
4x4 B x2 H x8

! Repeat steps 3, 4, and 5 to complete the installation of the right desk frame.

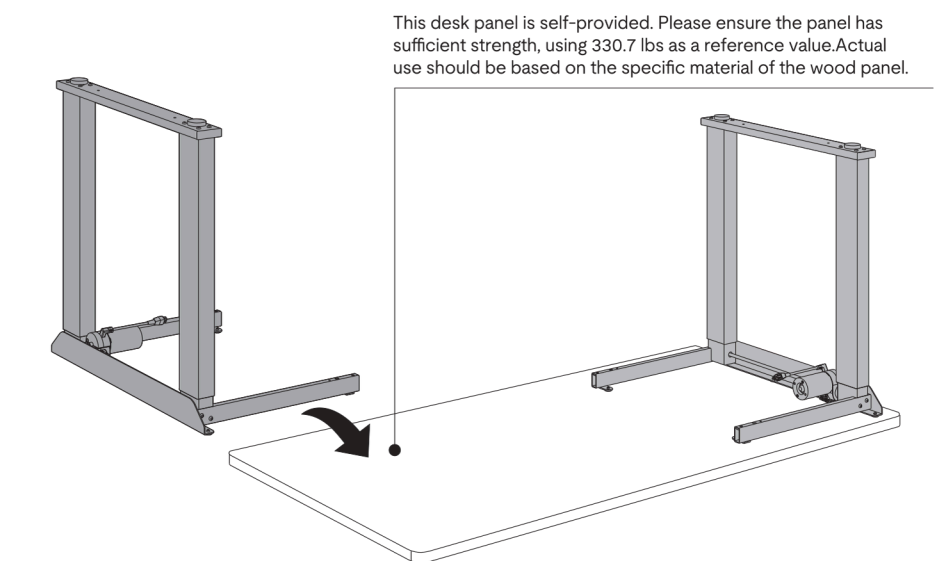


**Step 7** Install the connecting rod and pre-tighten the crossbeam.

A x1  
3X3 A x1  
4x4 D x4 E x4

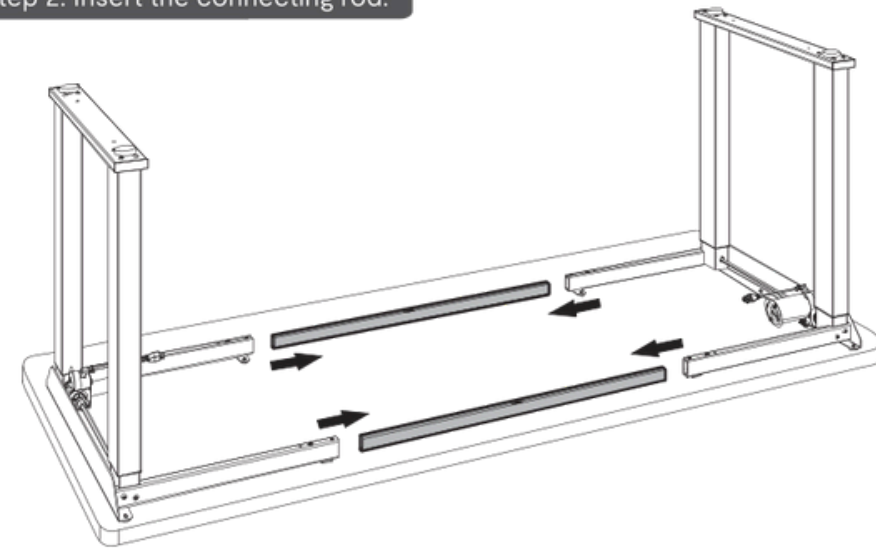
Step 1: Place the left and right frames.

! Place the left and right desk frames on the desk surface in sequence.

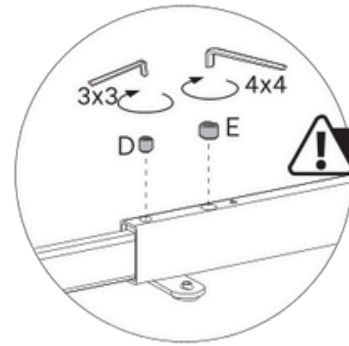


This desk panel is self-provided. Please ensure the panel has sufficient strength, using 330.7 lbs as a reference value. Actual use should be based on the specific material of the wood panel.

Step 2: Insert the connecting rod.

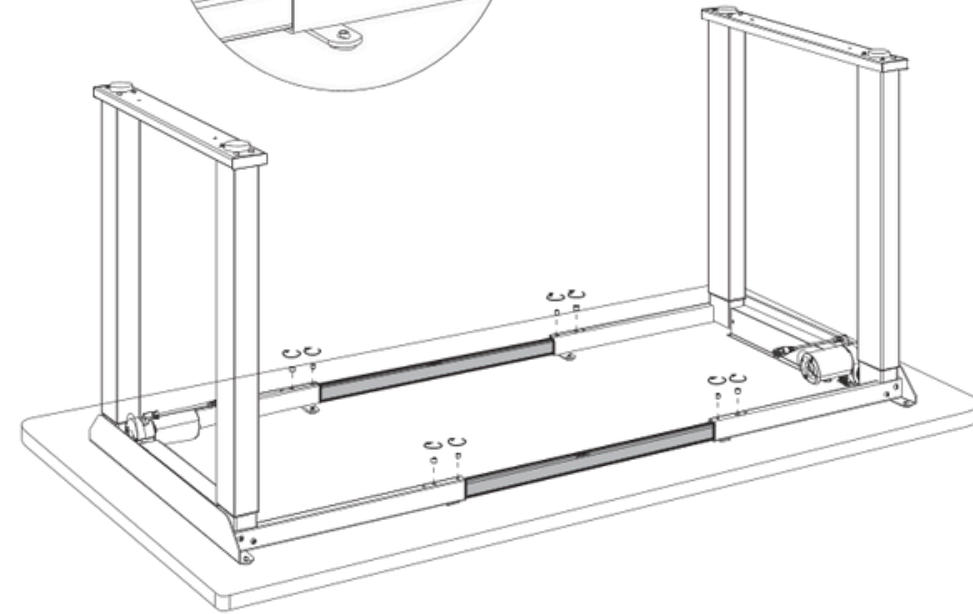


Step 3: Pre-tighten the crossbeam.



Pre-tighten

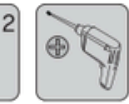
Pre-tighten screws D and E first.



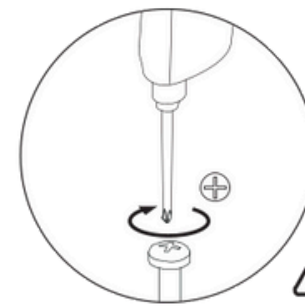
Step 8 Install the desk panel and tighten the crossbeam.

Step 1: Secure the desk panel.

F x12



Self-prepared

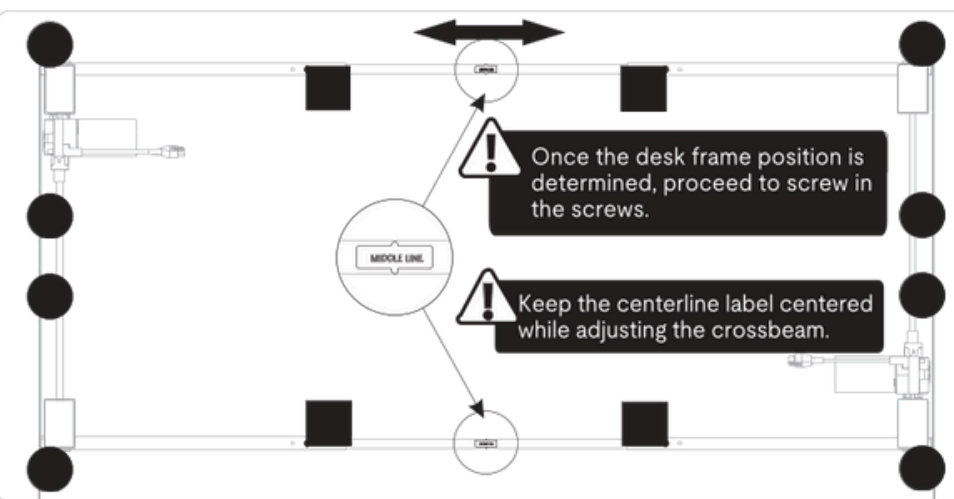


The screw installation sequence is: ●-■

Adjust the extension distance of the support crossbeam according to the actual usage situation.

Once the desk frame position is determined, proceed to screw in the screws.

Keep the centerline label centered while adjusting the crossbeam.



≤ 7.9"

The distance from the support plate to the edge of the desk panel should not exceed 7.9".

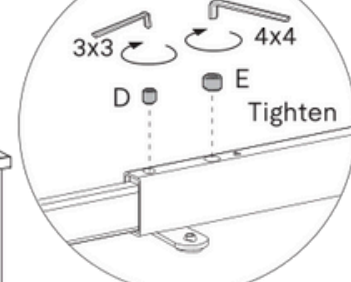
≤ 7.9"

Step 2: Tighten the crossbeam.

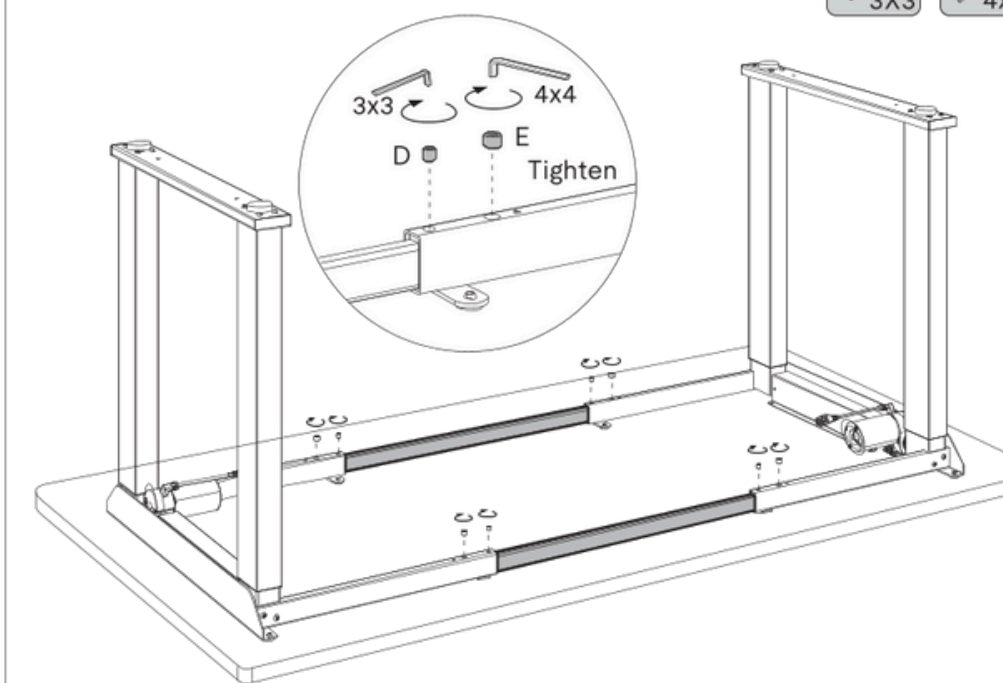
A x1



A x1



Tighten

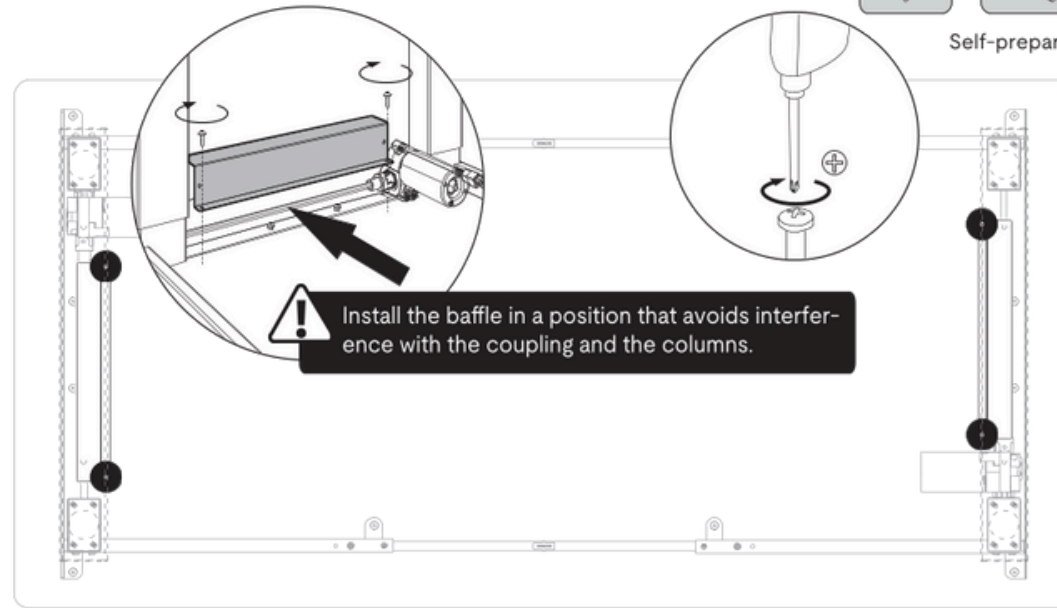


Step 9 Install the baffle

F x4



Self-prepared



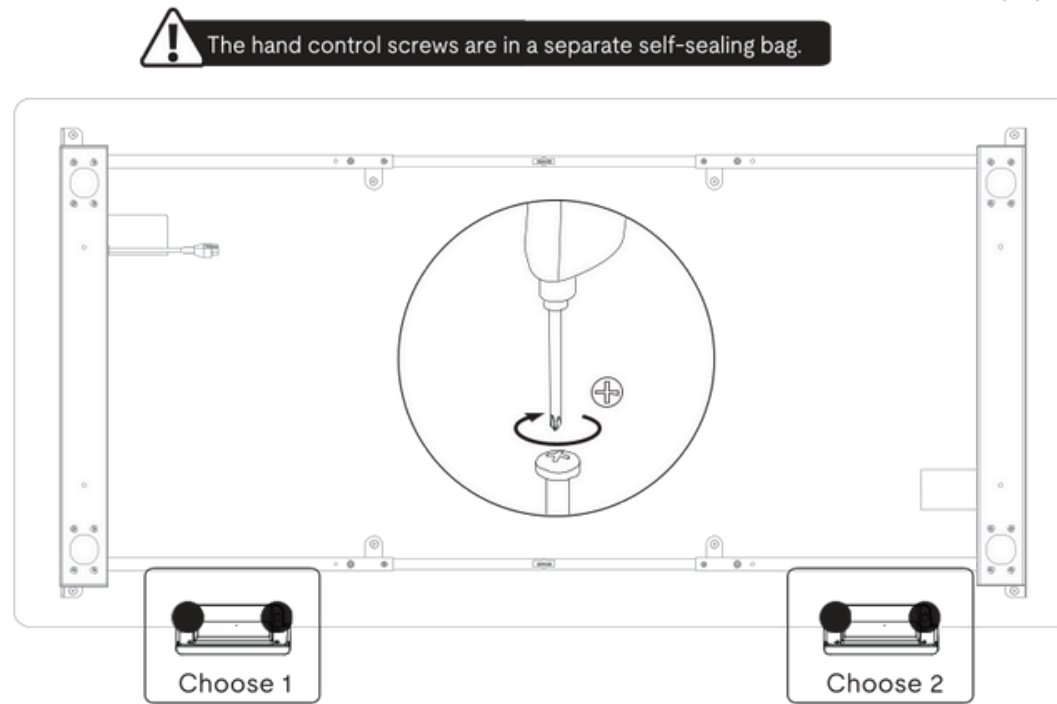
Install the baffle in a position that avoids interference with the coupling and the columns.

Step 10 Install the hand control

I x2



Self-prepared



Choose 1

Choose 2

The handle can be installed on either the left or right side, depending on your preference.

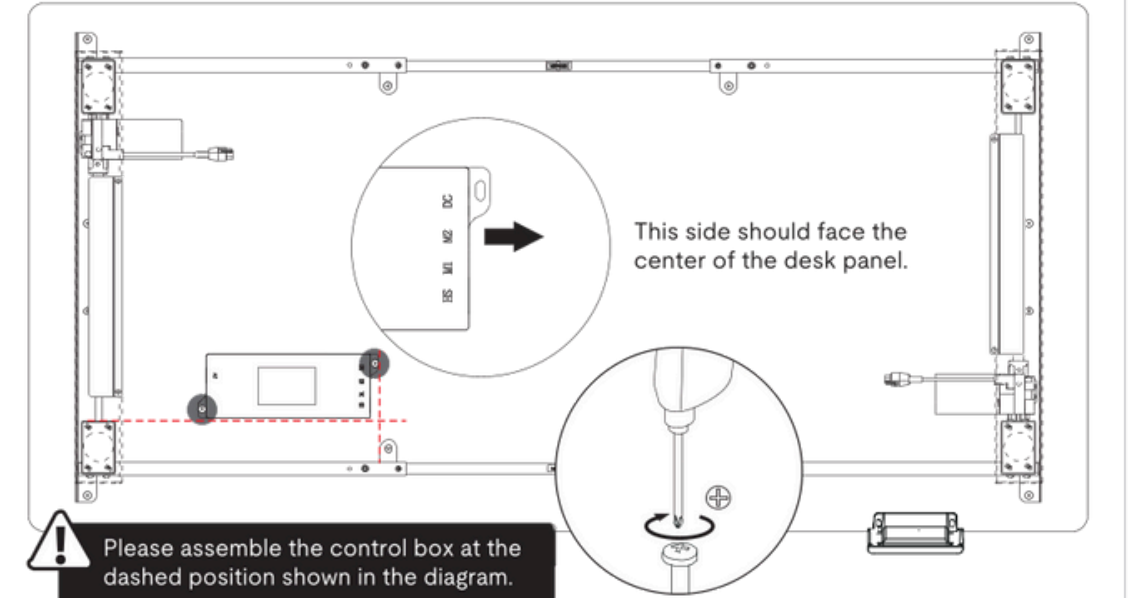
Step 11 Install the control box

F x2



Self-prepared

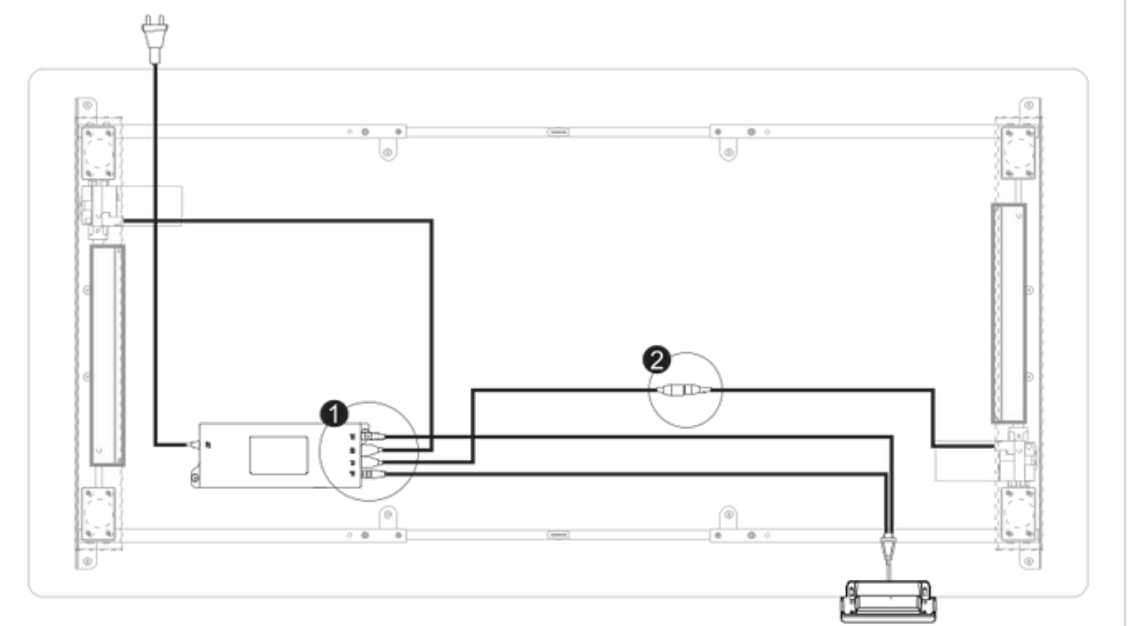
Determine the control box position based on the connecting cable length.



This side should face the center of the desk panel.

Please assemble the control box at the dashed position shown in the diagram.

Step 12 Connect the wires

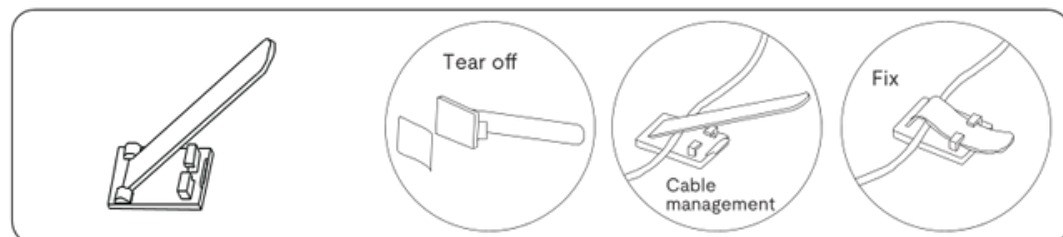


1 motor cable

hand control cable

2

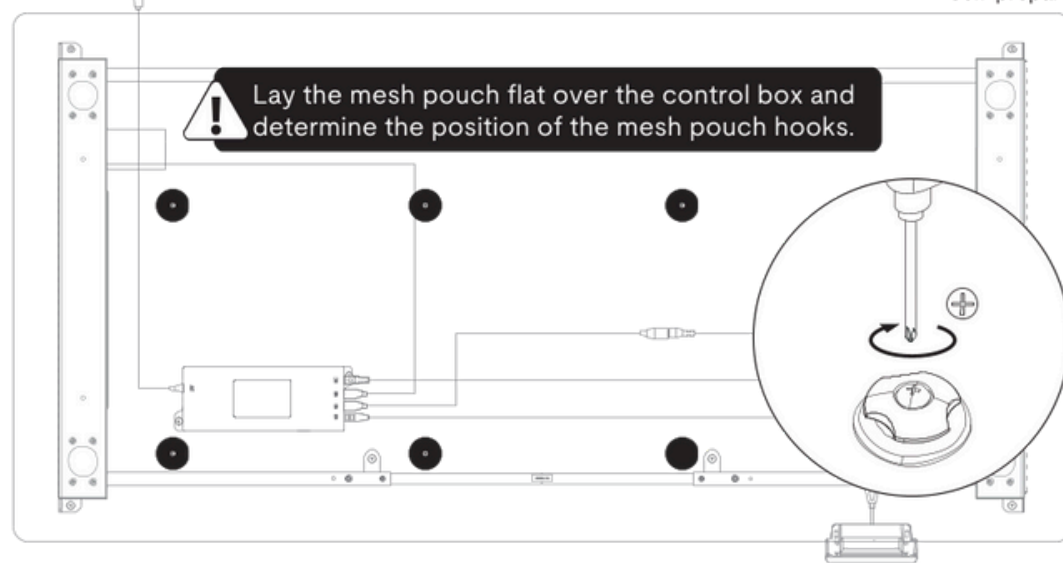
Use cable clips ⑩ to secure the connecting cables to the desk surface, keeping the cables tidy.



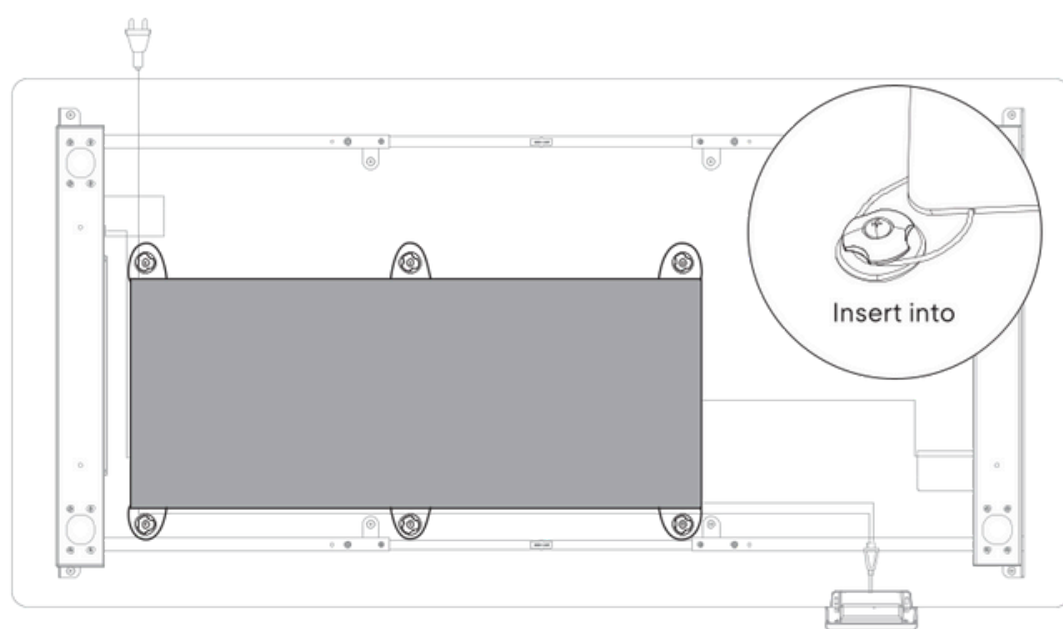
**Step 13** Install the mesh pouch hooks



Self-prepared

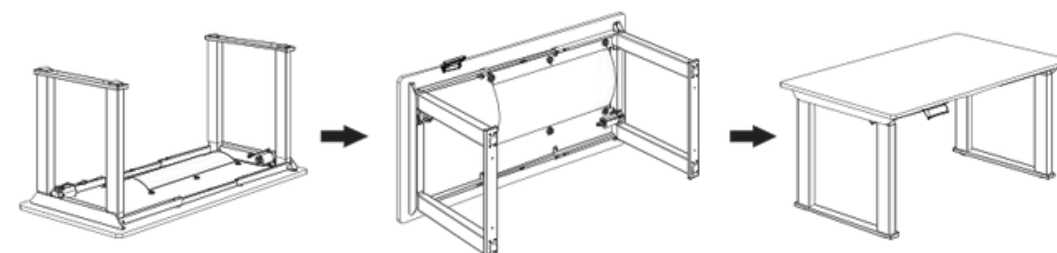


**Step 14** Install the mesh pouch

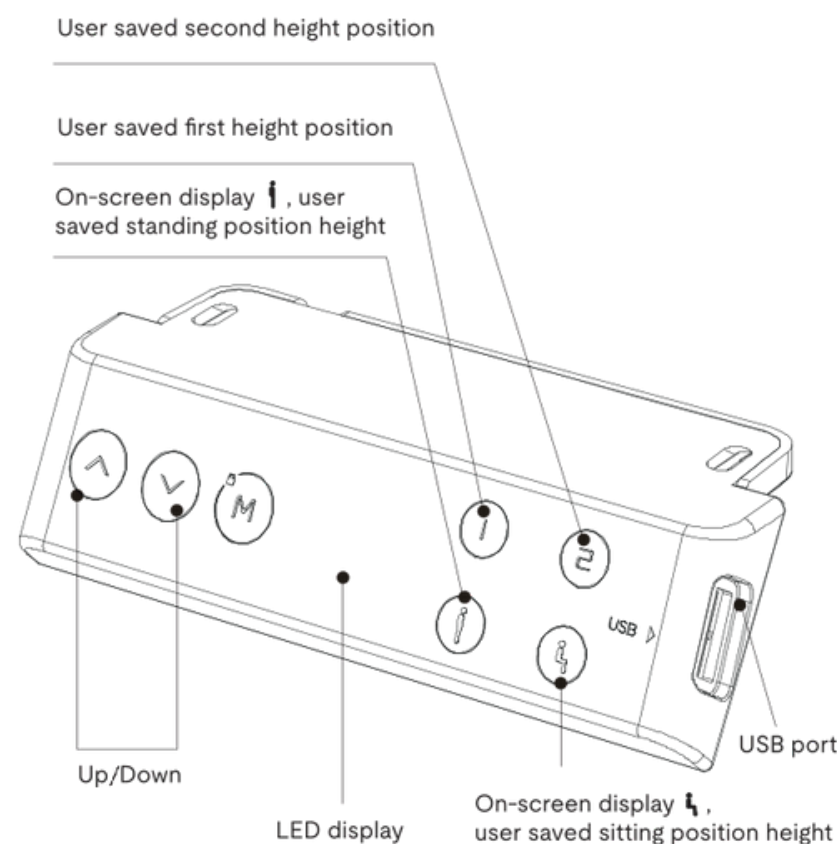


**Step 15** Flip the desk

**!** Be careful when flipping the table. Avoid pressing the hand control, and make sure to flip it with the hand control side facing up.



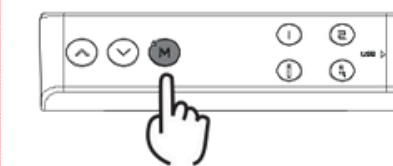
**USER INSTRUCTIONS**



**Note** Please ensure there are no obstacles during the desk's height adjustment to guarantee that all cables are long enough for the desk's movement

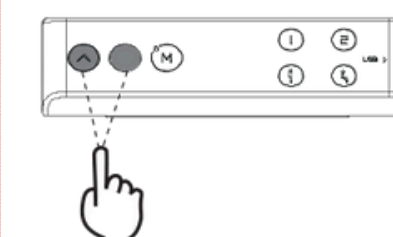
**Recommendations** Set your most comfortable height when seated as  $\downarrow$ , and your most comfortable standing height as  $\uparrow$ . The other present heights can be freely set to different heights.

● **Child Lock Function**



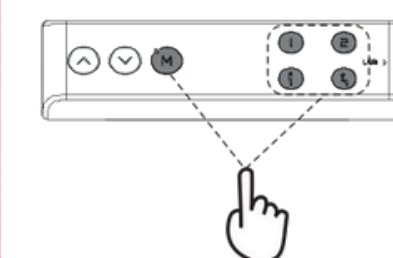
- When the child lock is turned on, the blue indicator light of the child lock is on; (right above "V" and "M");
- Press the button and the indicator light flashes once;
- To unlock or lock the child lock, you need to press and hold the "M" button for about 5 seconds;
- After the child lock function is unlocked, all buttons can work normally.

● **Height Adjustment Function**



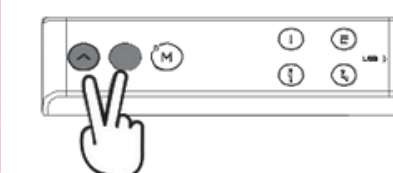
- You can adjust the height of the desk up or down by pressing the "V" or "^" key, with the current height displayed on the screen.

● **Memory Height Function**



- Press the up or down key to adjust the lifting table to the required height. Press the "M" key to save the current height, and the display screen will display "5-". Press "1" or "2" or  $\uparrow$  or  $\downarrow$  to save the height to the corresponding position "1" or "2" or  $\uparrow$  or  $\downarrow$ , and the corresponding display screen will display "5-1" or "5-2" or "5-3" or "5-4".
- Press "1" or "2" or  $\uparrow$  or  $\downarrow$  key, and the lifting table will automatically adjust to the previously saved position.

● **Anti-collision Sensitivity Adjustment--optional Function**

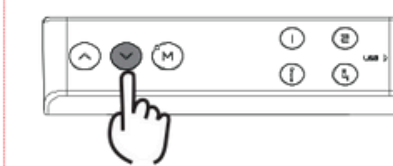


- Simultaneously press and hold the "V" and "^" keys for 5 seconds to switch sensitivity. Each press changes to the next level, with a total of four levels. (R-0, R-1, R-2, R-3)
- "R-0" : Turn off anti-collision function
  - "R-1" : Low sensitivity
  - "R-2" : Medium sensitivity
  - "R-3" : High sensitivity

- Encounters an obstacle during movement, it will immediately reverse to protect from collision.

- Simultaneously press and hold the "V" and "^" keys for 5 seconds to switch sensitivity. If the display screen does not show the above code, there is no anti-collision function.

● **Code Processing**



- Reset function definition: The display shows "R5r" or "r5t". At this time, keep pressing the down key "V" until the lifting table drops to the lowest position and rebounds to stop. The display shows the lowest height. Release the "V" down key, the reset is completed, and the desk can be used normally.

- If the display screen shows "E01" or "E02", please allow the desk to rest for over 18 minutes before using it again.

- If other error codes appear and the "V" key does not respond, please check the connection cables are undamaged and properly connected. Disconnect the power for more than 10 seconds, then reconnect the power. The display screen should show "R5r" or "r5t". After that, press and hold "V" key to reset.

- If you have performed the above operations and the desk still does not function properly, please contact customer service.

● **USB Port Charging Function**

- USB interface output: PD3.0: 5V 3A/9V 2.2A/12V 1.67A, +5%

## COMMON EXCEPTION HANDLING

The following tips will help you detect and resolve common exceptions and errors. If you encounter an exception that is not listed in the table below or if the following actions do not resolve the issue, please contact your supplier. All these exceptions or errors can only be investigated and corrected by the manufacturer or trained personnel.

Exception Phenomena	Handling Methods
Electronic functions are not operating normally	Check if the connection cables are properly connected;
Slow rising speed	Check if the load is too heavy, exceeding 330 lbs;
Device is sliding down	
Device frequently enters reset mode	
Only goes down or only goes up	Perform a reset operation;
Insufficient height adjustment for rising and lowering	
Bottom cannot rise	
After exceeding the operating cycle requirements. ( Duty cycle:Max 2min on/18min OFF )	Disconnet power for 18 minutes before reconnecting;
The power supply module cannot be used	It is necessary to reset or wait for 1s after rising or falling before using;
Pressing the down key causes the device to rise instead	Check for obstacles under the desk or if any cables are hanging down;


## ATTENTION

1. Power Supply: AC100V-240V, frequency 50/60Hz
2. Usage Environment: Indoor temperature 0-40°C (32-104°F)
3. Before cleaning, always unplug the power supply. Use a slightly damp cloth to wipe the surface dust. Be careful not to let water droplets enter the internal components, avoid damaging the connection cables, and do not touch loose connections. Regularly check for loose screws and tighten them as needed.
4. The electrical box contains electronic components, metal, plastic, wires, etc. Dispose of these items according to the environmental regulations of your country, and do not treat them as regular household waste.
5. Before using the product, please carefully check to ensure that it is fully correctly installed. Installation should only be done using the parts provided by the manufacturer. When placing the product, ensure there is enough clearance to prevent the risk of pinching injuries.
6. Before using the product for the first time, familiarize yourself with all functions and program settings.
7. Children are not allowed to play on or around this product. Unpredictable behavior can lead to dangerous consequences, for which the manufacturer is not responsible.
8. Light noise from the multi-ribbed belt or braking system due to structural reasons will not affect the use of the equipment.
9. Do not use corrosive or abrasive materials to clean the equipment. Ensure any cleaning agents used will not damage the surface or internal components.
10. When aware of the associated risks, children aged 14 or under, as well as individuals with physical or sensory impairments or mental disabilities, should use the product under proper supervision and guidance. Children should not interact with the product unsupervised.
11. Children should not perform cleaning and user maintenance without supervision.
12. If the power cord is damaged, it must be replaced by the manufacturer or qualified professionals to avoid injury.
13. Ensure your operating environment is free of hazards. Do not leave tools lying around, and handle packaging materials with care to avoid potential dangers, such as suffocation risks from children playing with plastic bags.
14. When moving the desk, ensure it is clear of items, drawers and doors are securely closed, screws are tight, and the power plug is disconnected. It should be moved by two or more people, and keep the original packaging for future transport if necessary.
15. For long-term storage, unplug the device, clear away any loose items, and store in a cool, dry place.
16. This product contains small parts that pose a choking hazard if swallowed. Keep these small components out of reach of children.

 300 Goddard, Irvine, CA 92618

 [inquiry@flexispotpro.com](mailto:inquiry@flexispotpro.com)

 [www.flexispotpro.com](http://www.flexispotpro.com)

 +1(888)868-8446

### Recycling and Disposal



This product cannot be disposed of as household waste. To prevent damage to the environment, this product should be recycled. Please use the relevant recycling systems available to you or contract the distributor or manufacturer for recycling assistance.