

This product features an assembly design. Please follow the instructions below for proper assembly. All the necessary components listed below are included in the packaging.

JUVIVO

OC517-Fab-G3-1-BK

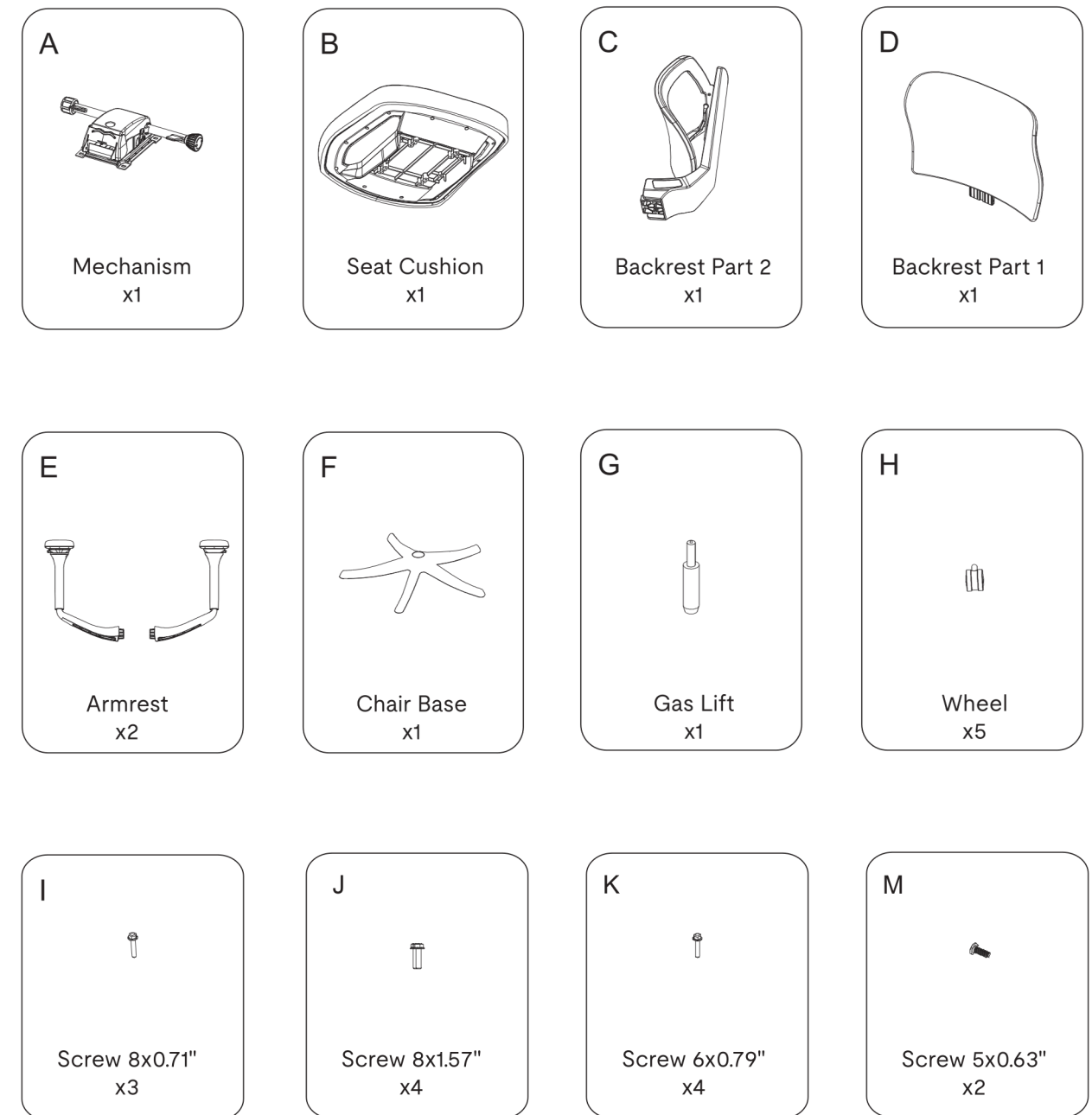
Final Assembly Diagram



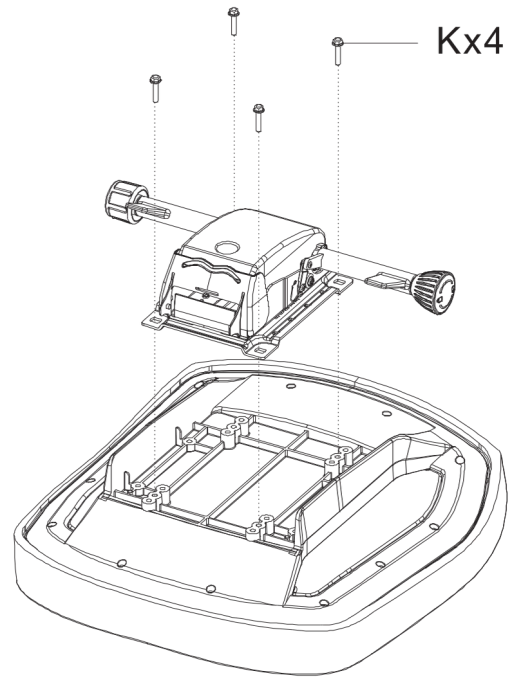
Product Specifications

Height	44.88"-48.82"
Seat Depth	20.47"
Seat Width	20.08"
Height from Floor to Seat	19.49"-22.83"
Seat Back Width	19.69"
Seat Back Height	25.59"-27.56"
Width Between Armrests	17.72"
Height from armset to Floor	27.36"-29.53"
Height from armset to Seat	7.28"-9.45"
Reclining Angle	105° - 135°

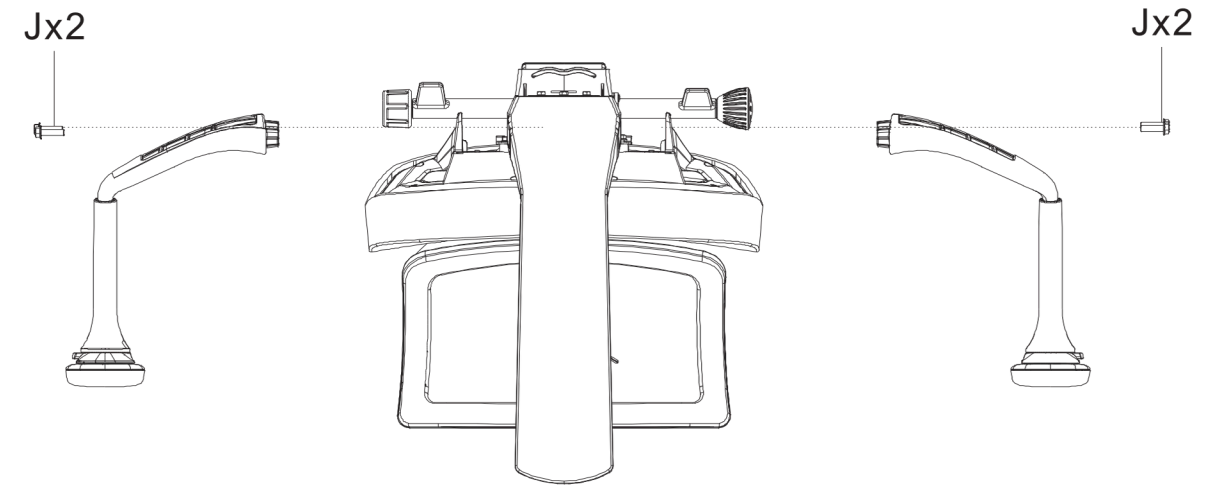
Parts



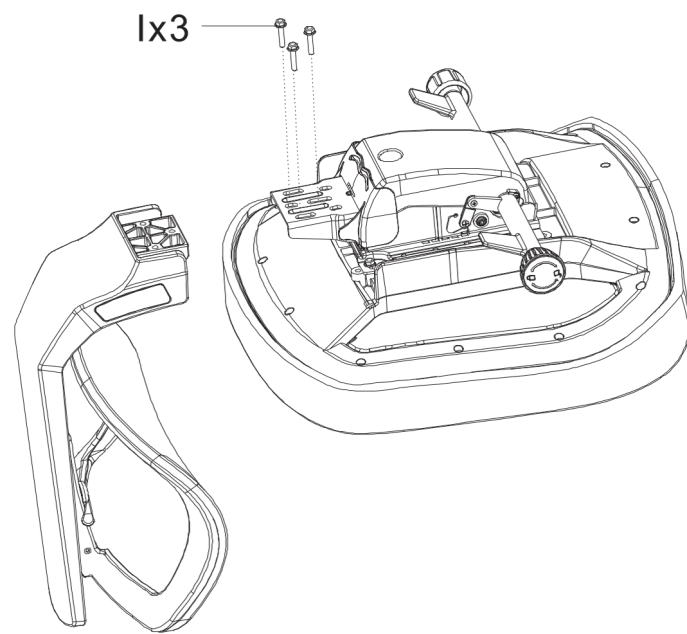
01 Connect the mechanism to the seat cushion



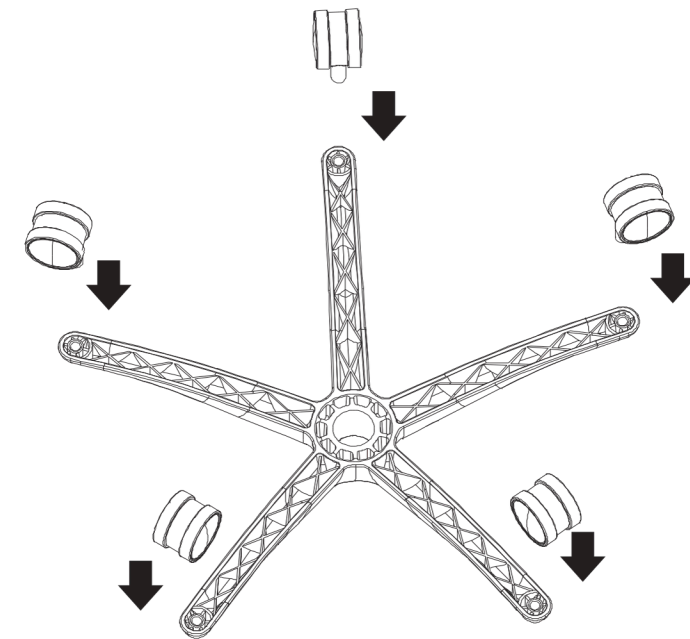
03 Connect the armrest to the seat cushion



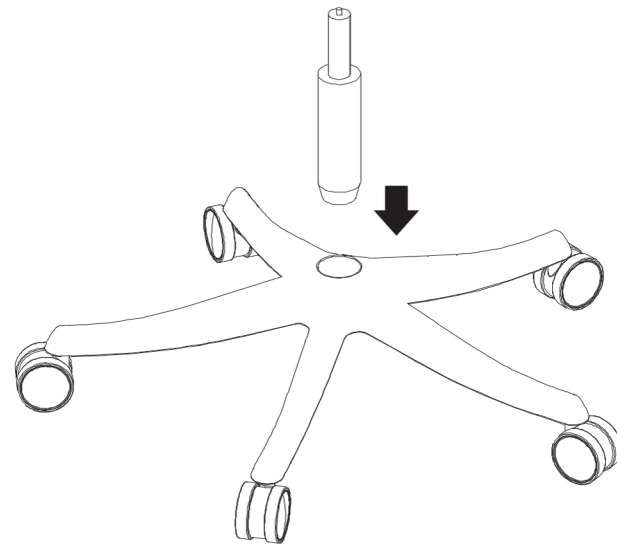
02 Attach the backrest part 2 to the mechanism



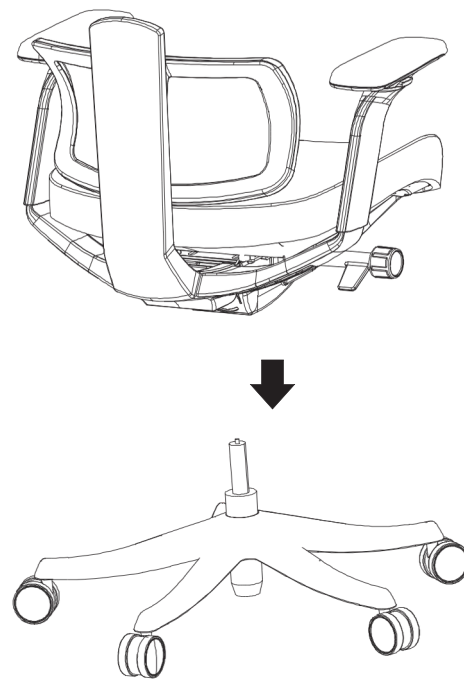
04 Install the wheels to the base



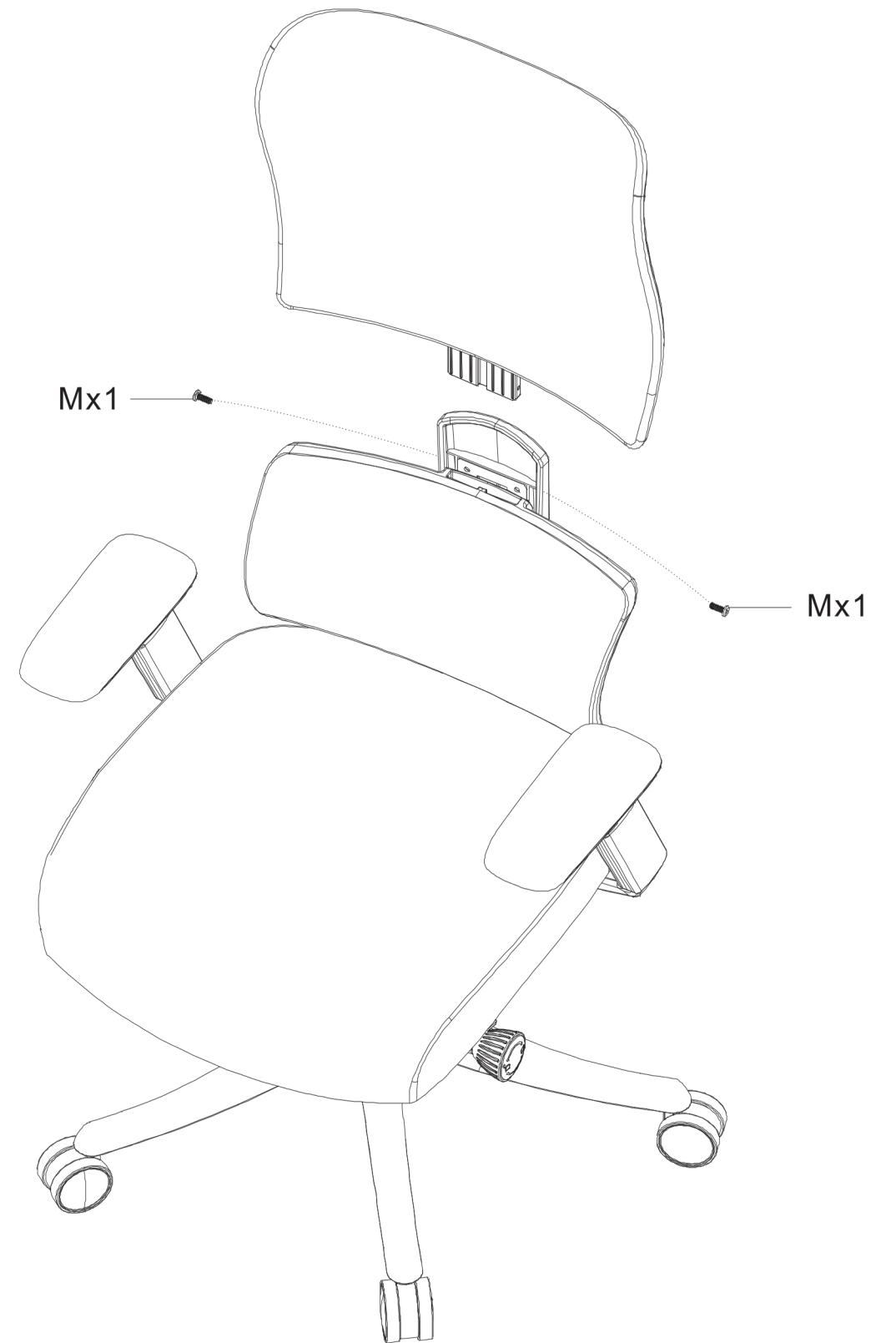
05 Install the gas lift to the base



06 Install the chair body on the gas lift



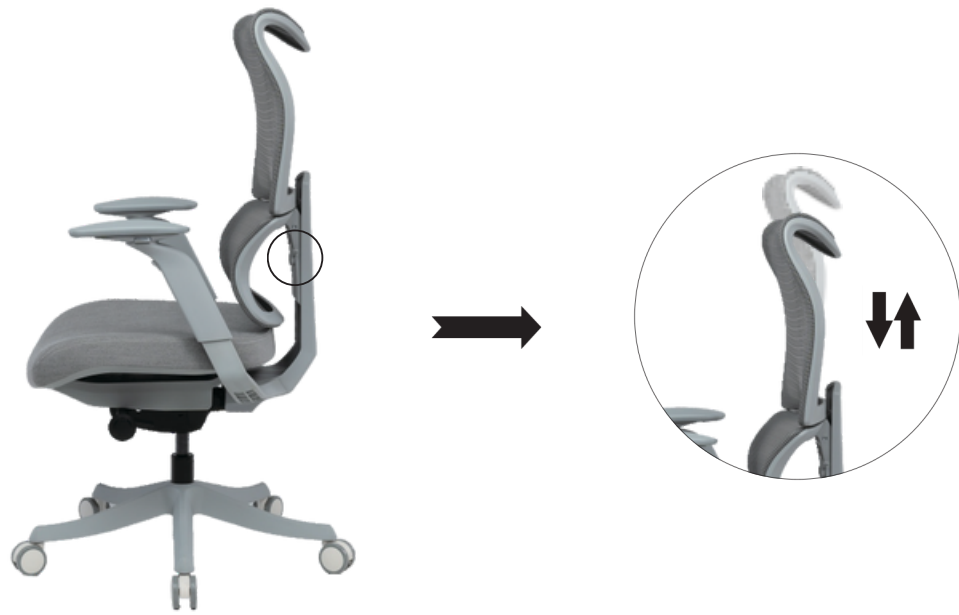
07 Install the backrest part 1



Lift Backrest



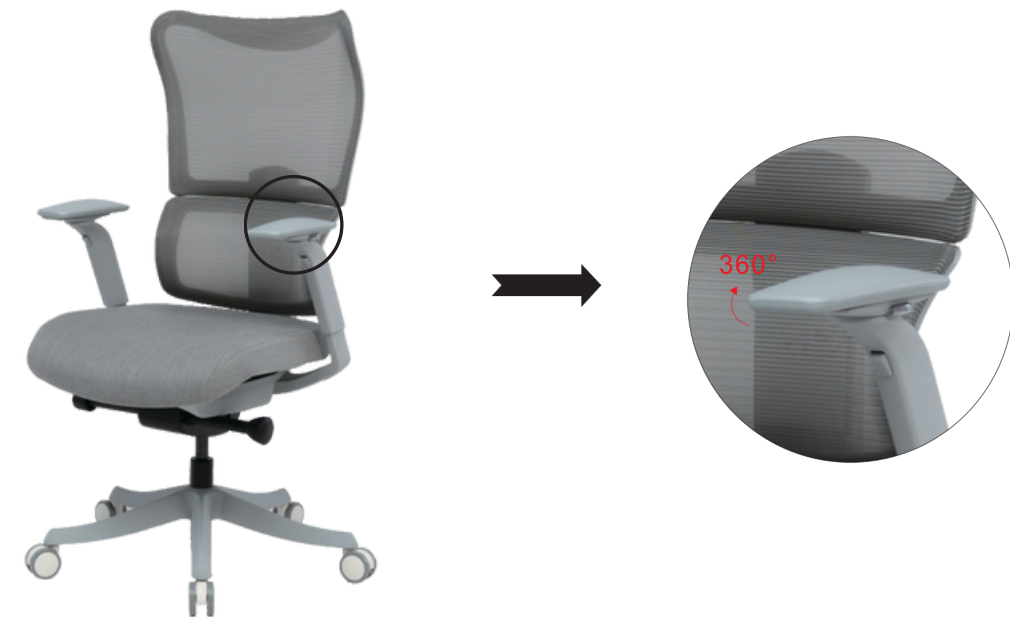
The height of the backrest can be freely adjusted up and down in 5 steps to meet the health needs of people of different sizes.



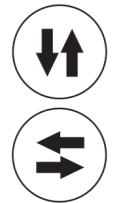
3D Rotating Armrest



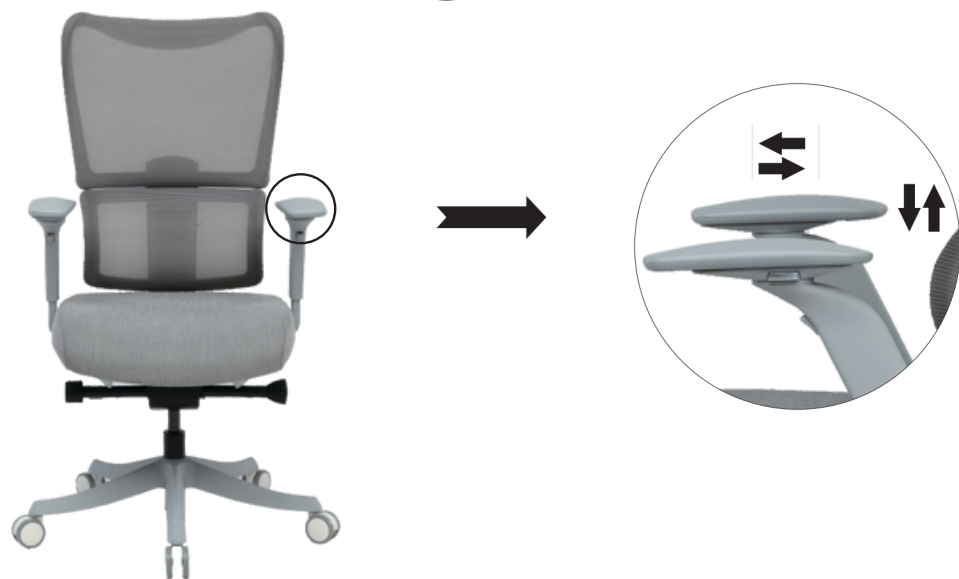
The 360-degree rotating lift armrest releases your arms and improves office comfort.



Removable Armrest



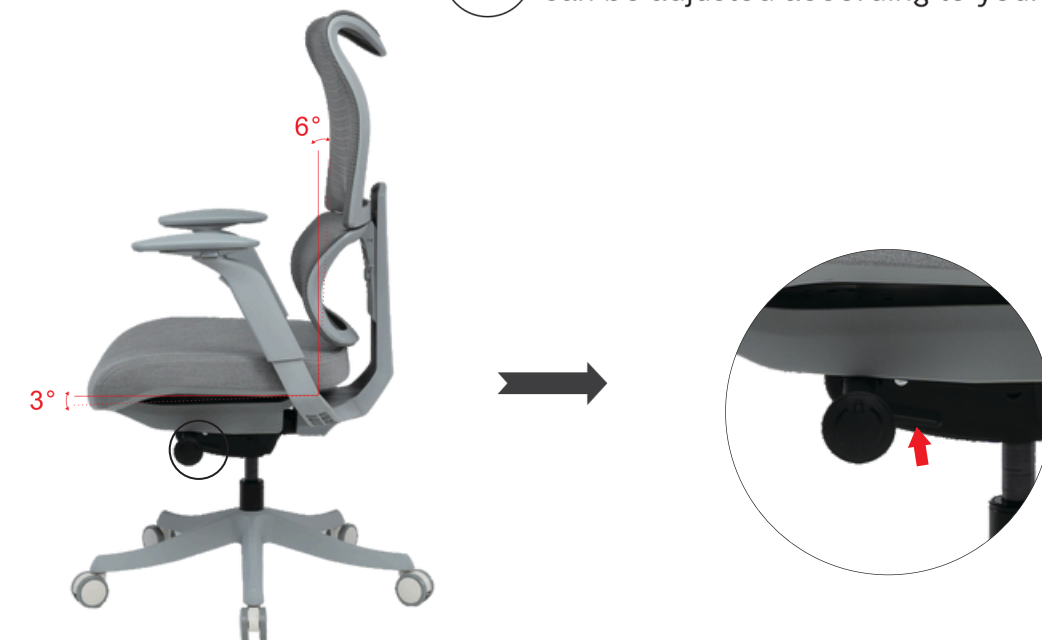
The armrest can be moved up and down, back and forth, to adapt to different sitting postures and height ratios.



Reclining Seat Cushion



The seat cushion can be tilted forward 3°, which can be adjusted according to your needs.



Height Adjustment



There is a lift switch under the seat cushion, which can be adjusted up and down 3.94".



Tilt Adjustment



Adjustable backrest range of 105°-135°



Notice



Please carefully inspect the product for missing parts or damage after unpacking the product. In the above situation, please contact us in time.



Please use it on a stable floor indoors, avoid close to fire or place it in the sun or humid environment.



This product is for single use only.



Don't sit on the edge of the seat.



Don't step on or use this product to lift objects.



Don't recline the backrest too much.



Don't rely on this product except in a normal sitting position to avoid falling out of balance.



Please be careful with sharp or hard tools to avoid scratching or hitting the product.



Please pay attention to the natural movement of the screw. If you find it, stop using it immediately and repair it in time.