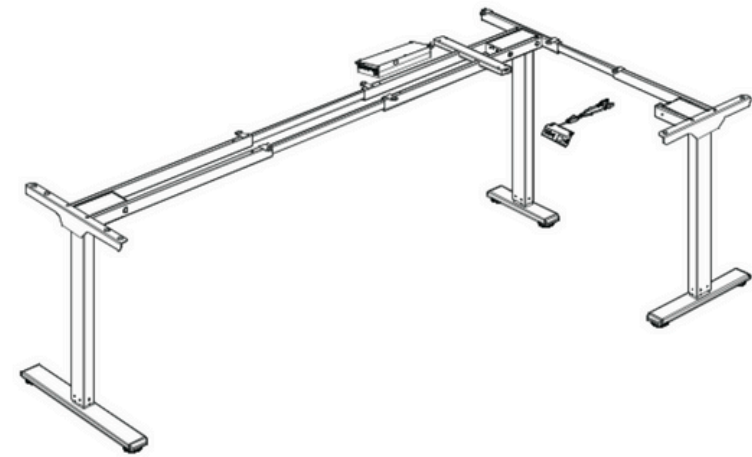


# JUVIVO

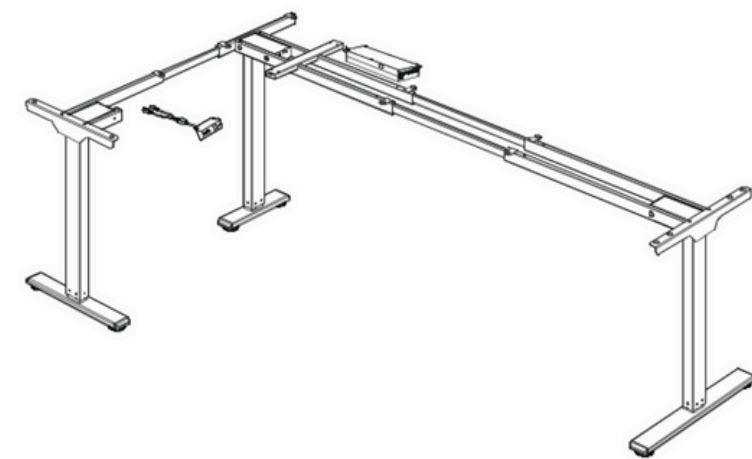
## LS2-W3 Installation Guide

⚠ Depending on the assembly method of this product, step 4 and the following steps may vary.

### Method A



### Method B



Images are for reference only, please refer to the actual product. Please read this product manual carefully before use and keep it properly!

Edition: Second Edition, February 2025

## INSTRUCTIONS FOR USE

### Main material

Main materials	Use section
Carbon Steel	Support plate, support tube, beam, column, desk leg
Copper	Wire core, motor wire core
Plastic	Hand control housing, control box housing, foot pad
Lubricating Grease	Column inner and outer tube, screw, gear
Plastic Powder	Support plate, support tube, beam, column, table leg

### Execution standards

Q/NLG004 adjustable desk enterprise standard

### Control indicators for harmful substance limits

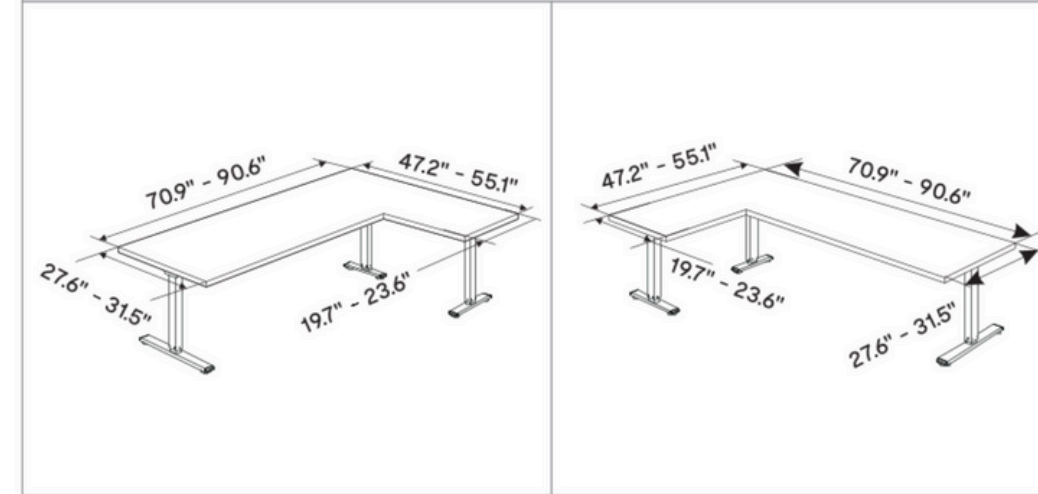
#### 1. GB 18584 - Soluble heavy metals

Heavy metal content (color-limited liquid) mg/kg	Soluble Lead	≤90
	Soluble Cadmium	≤75
	Soluble Chromium	≤60
	Soluble Mercury	≤60

## SPECIFICATIONS

number of column sections	2 sections
maximum load capacity	330.7 lbs
stretch range	main frame: 62.6" - 82.8"、sub-frame: 41.5" - 51.8"
maximum speed	0.98"/s
minimum height	27.6"
maximum height	46.9"
desktop thickness	> 0.71"

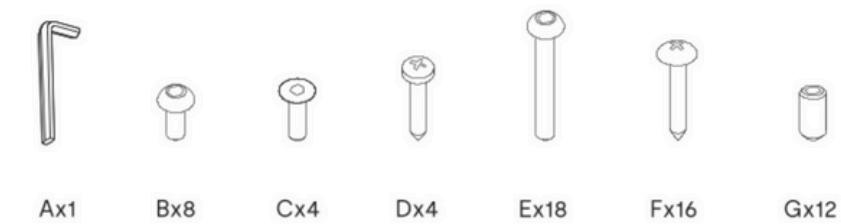
## ADAPTABLE TABLE SIZE



## PRODUCT LIST

### Accessory package

Note: the following line drawings are for reference only and may differ from the actual product in some cases. Please refer to the actual product. If you find any missing tools or have installation issues, please contact customer service.



### Installation preparation

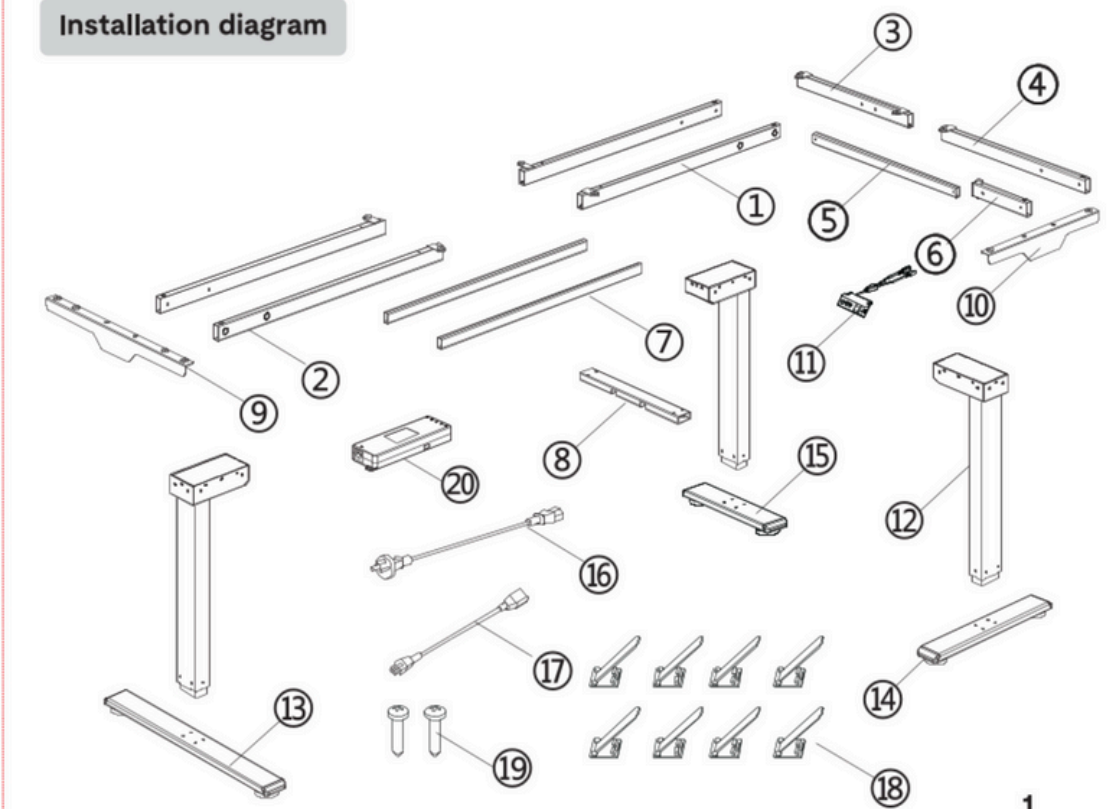


## Part list

	Part
①	Long left crossbeam x 2
②	Long right crossbeam x 2
③	Short left crossbeam x 1
④	Short right crossbeam x 1
⑤	Short connecting rod x 1
⑥	Short crossbeam x 1
⑦	Long connecting rod x 2
⑧	Support tube x 1
⑨	Long support plate x 1
⑩	Short support plate x 1

	Part
⑪	Hand control x 1
⑫	Column x 3
⑬	Desk leg 1 x 1
⑭	Desk leg 2 x 1
⑮	Desk leg 3 x 1
⑯	Power cord x 1
⑰	Motor extension cord x 1
⑱	Cable ties x 8
⑲	ST4.2 x 2
⑳	Control box x 1

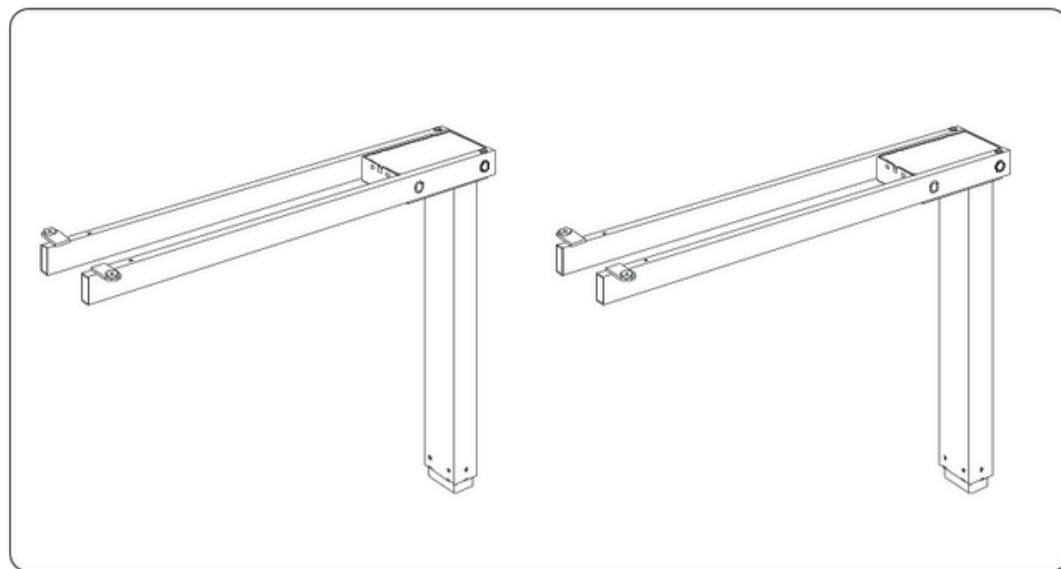
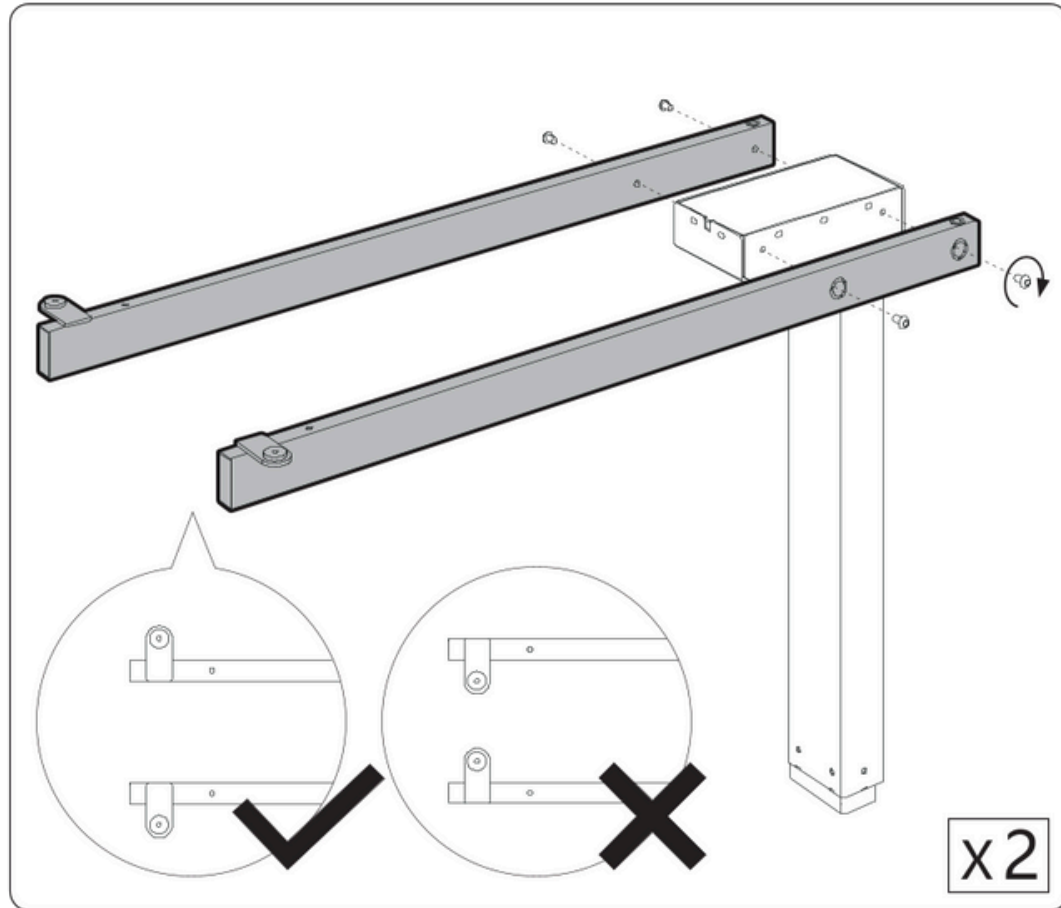
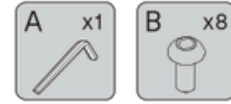
## Installation diagram



## INSTALLATION STEPS

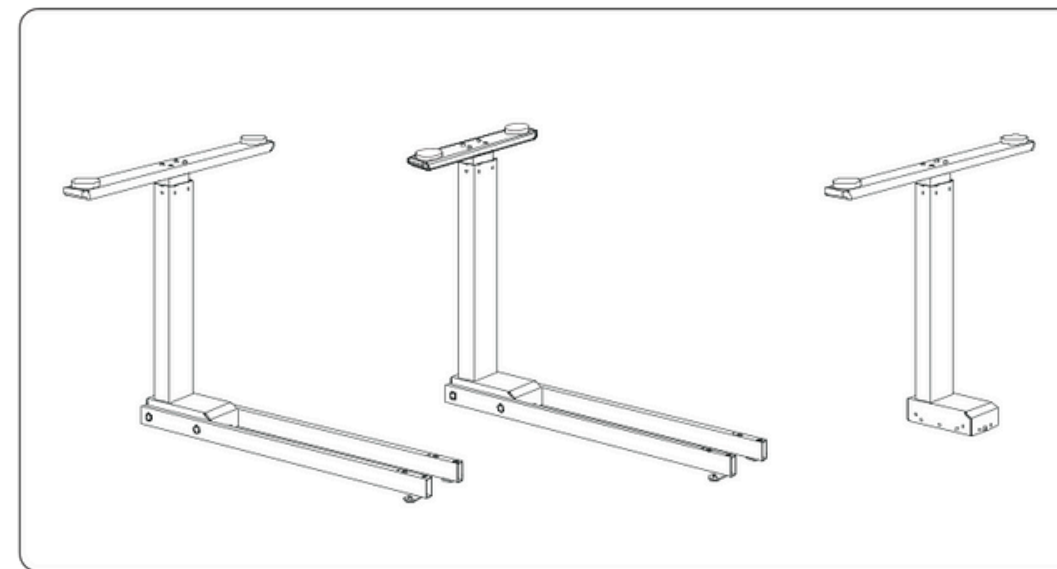
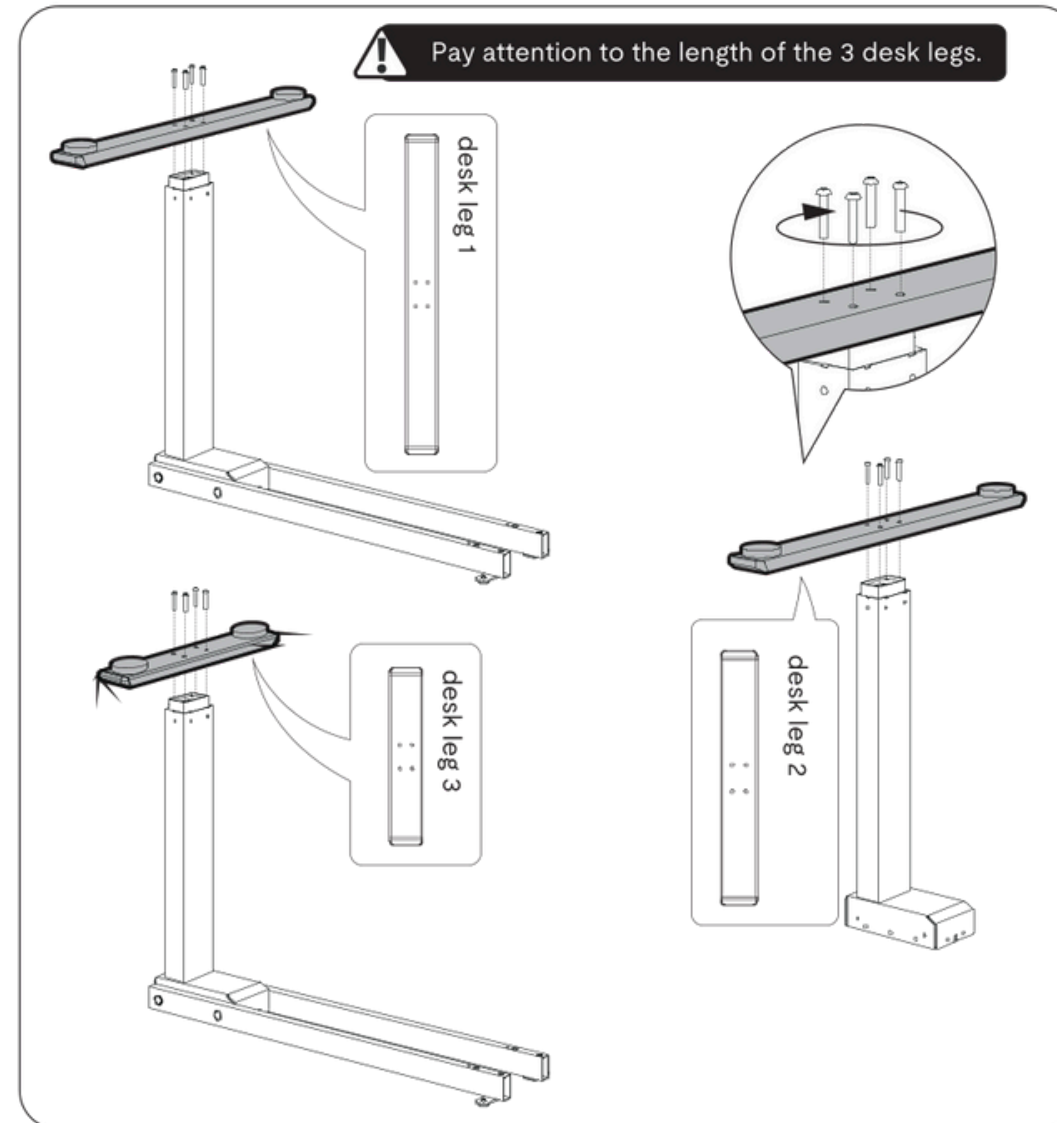
### Step 1

Splice the long left and right beams and columns



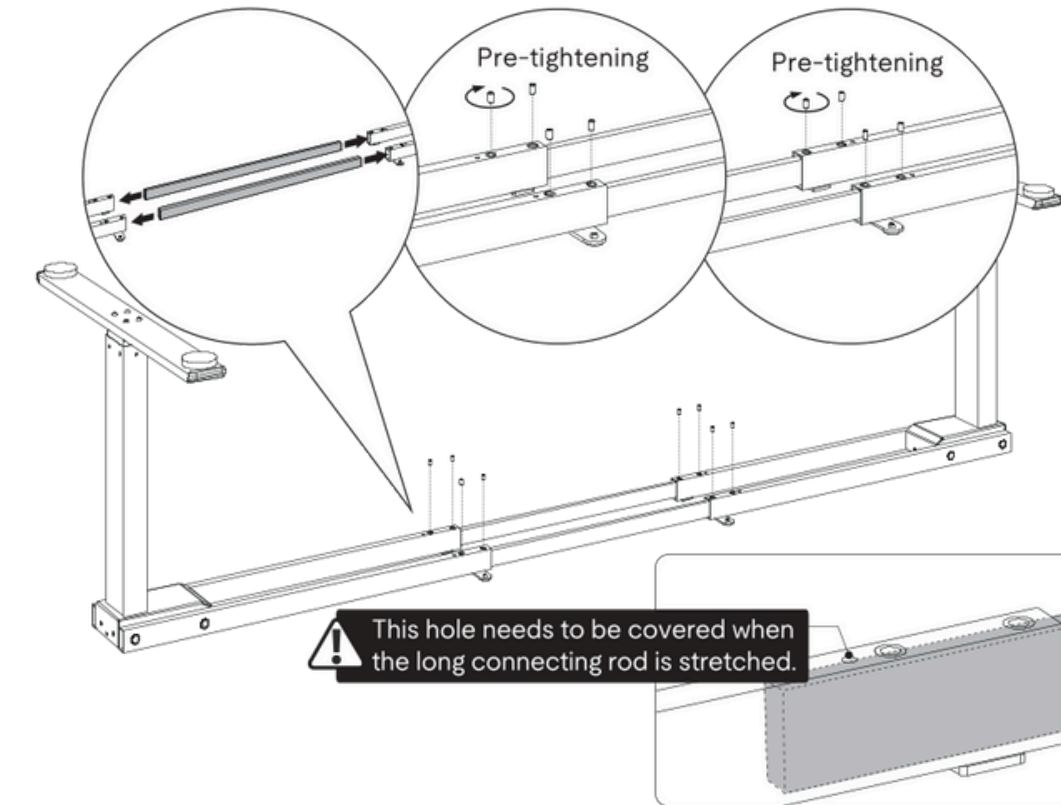
### Step 2

Install the desk legs



### Step 3

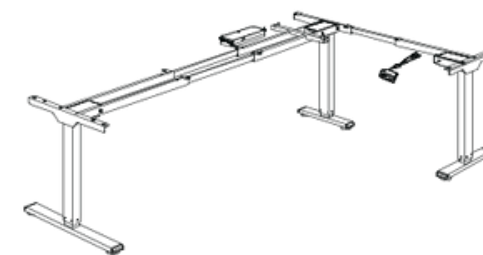
Install the long connecting rod



⚠ Depending on the assembly method of this product, step 4 and the following steps will be different. Method A: steps A-4 to A-16; Method B: steps B-4 to B-16.

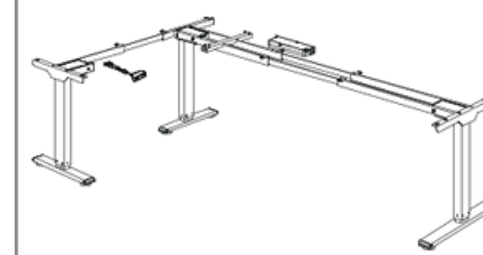
#### Method A

Page: P2-P4



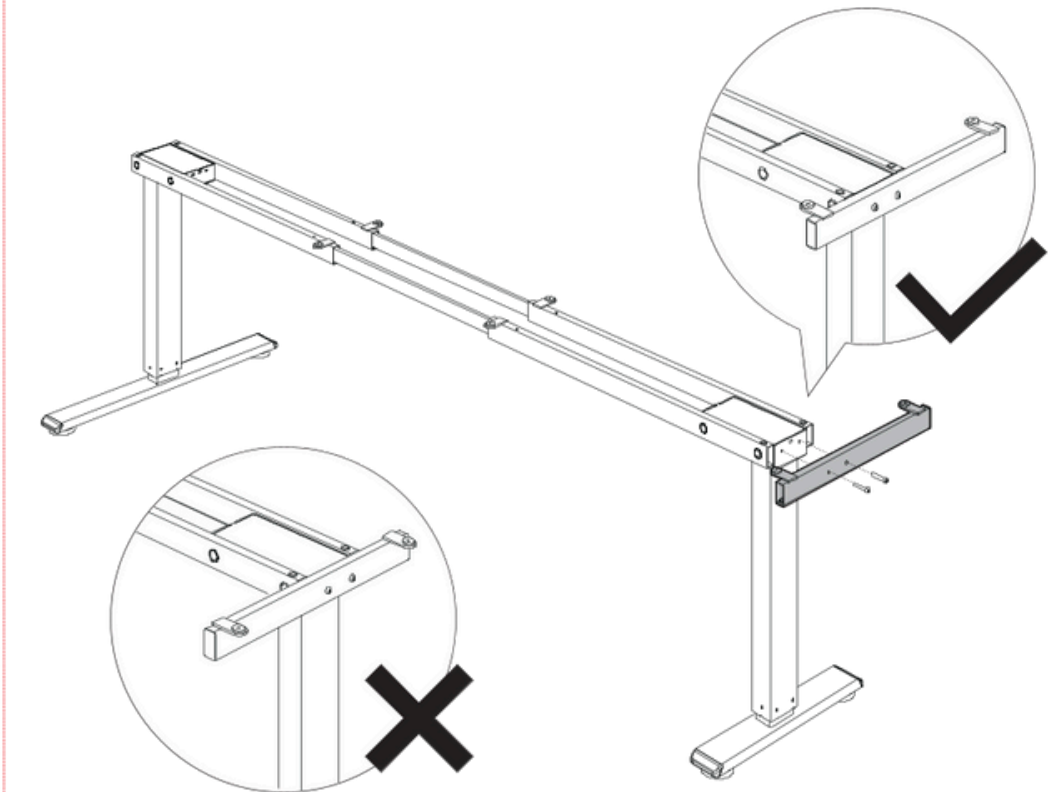
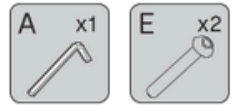
#### Method B

Page: P4-P6



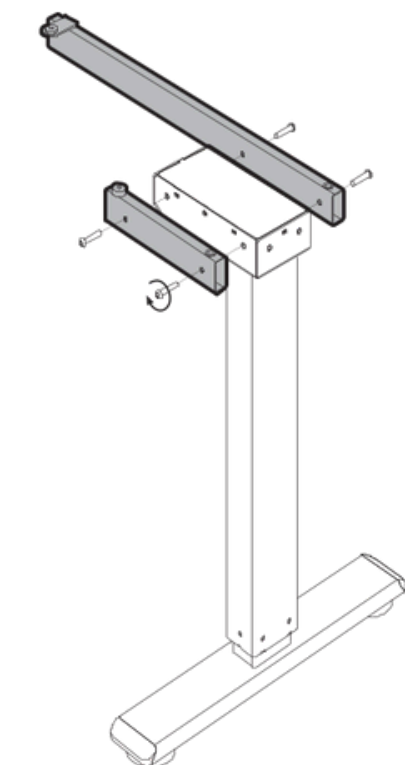
### Step A-4

Install the short left crossbeam

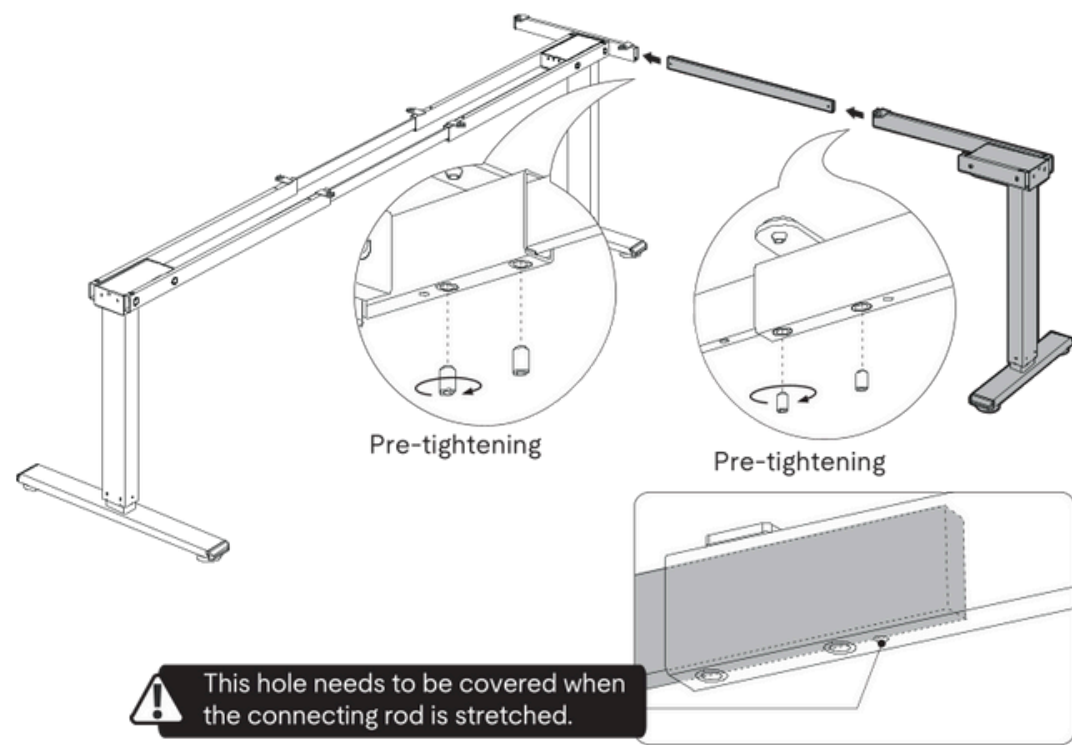


### Step A-5

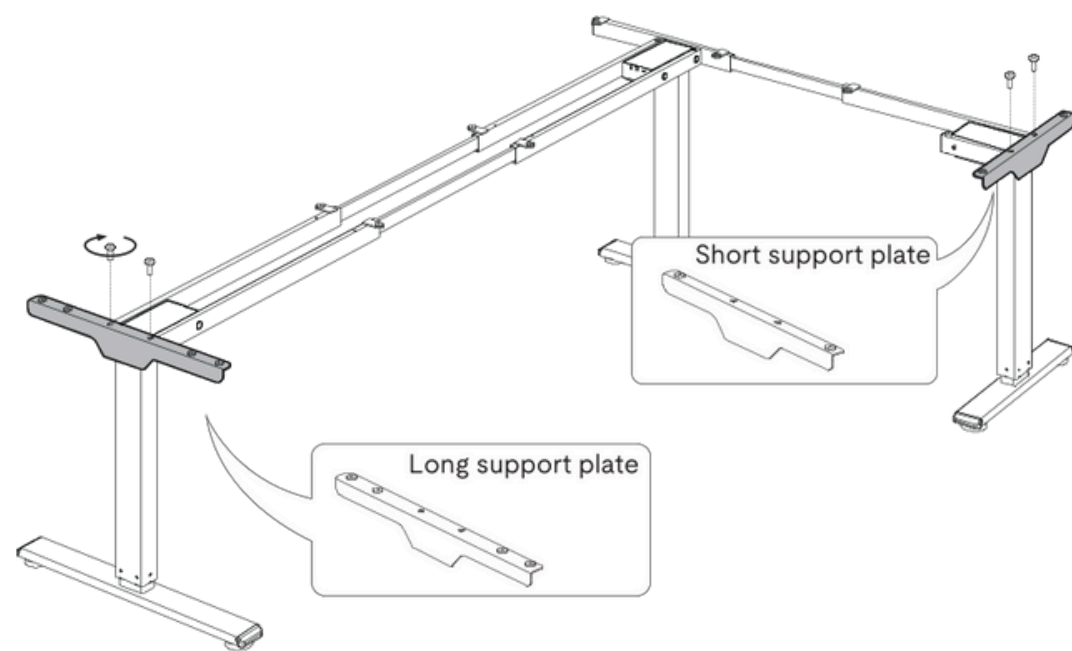
Install the short crossbeam and short right crossbeam



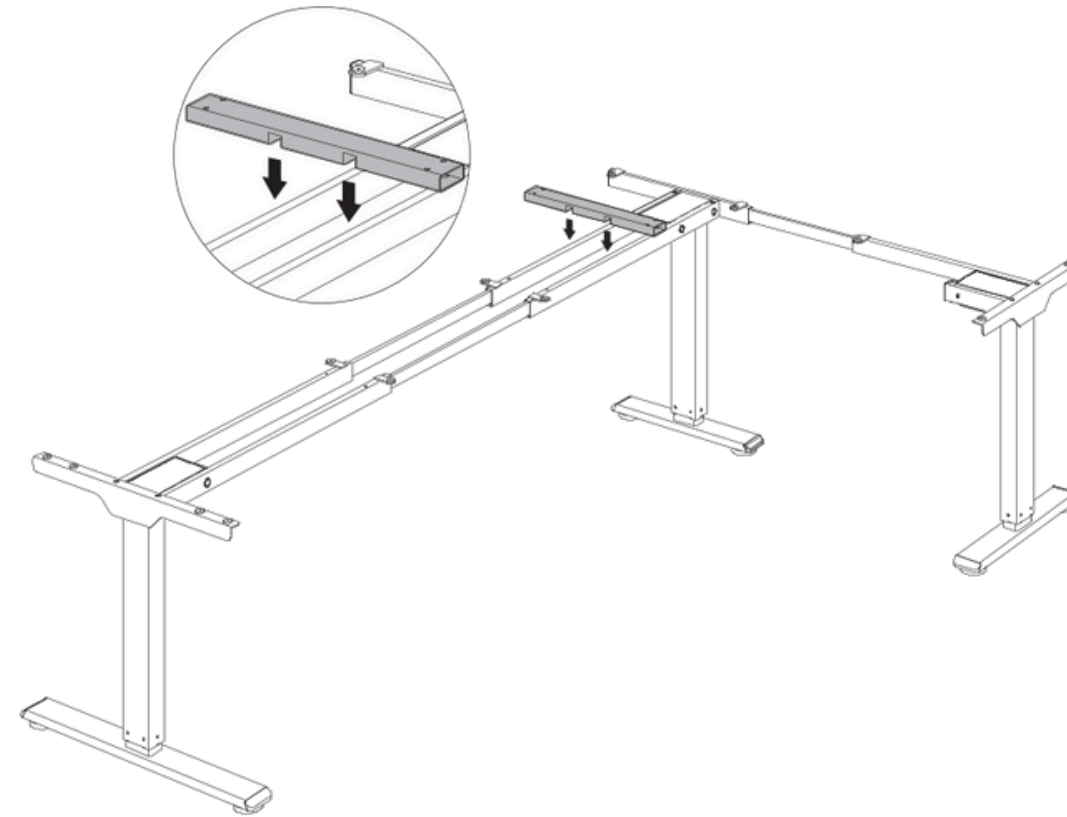
**Step A-6** Install the short connecting rod



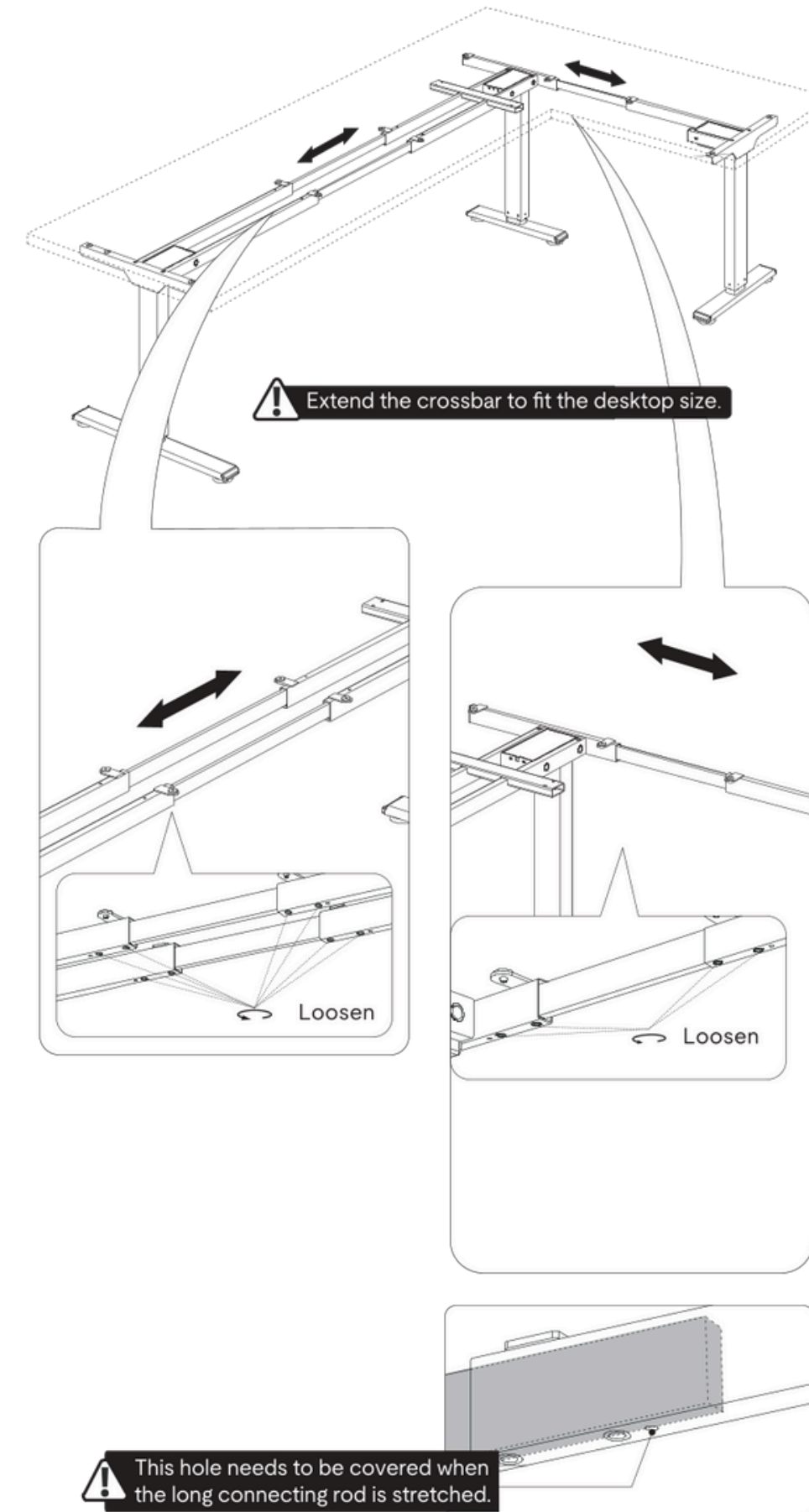
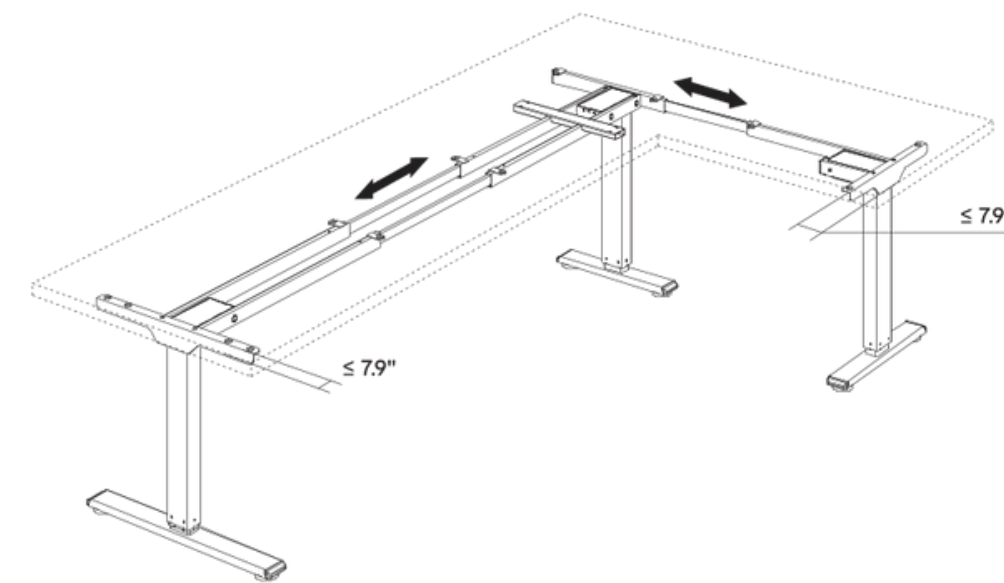
**Step A-7** Install the support plate



**Step A-8** Install the support tube

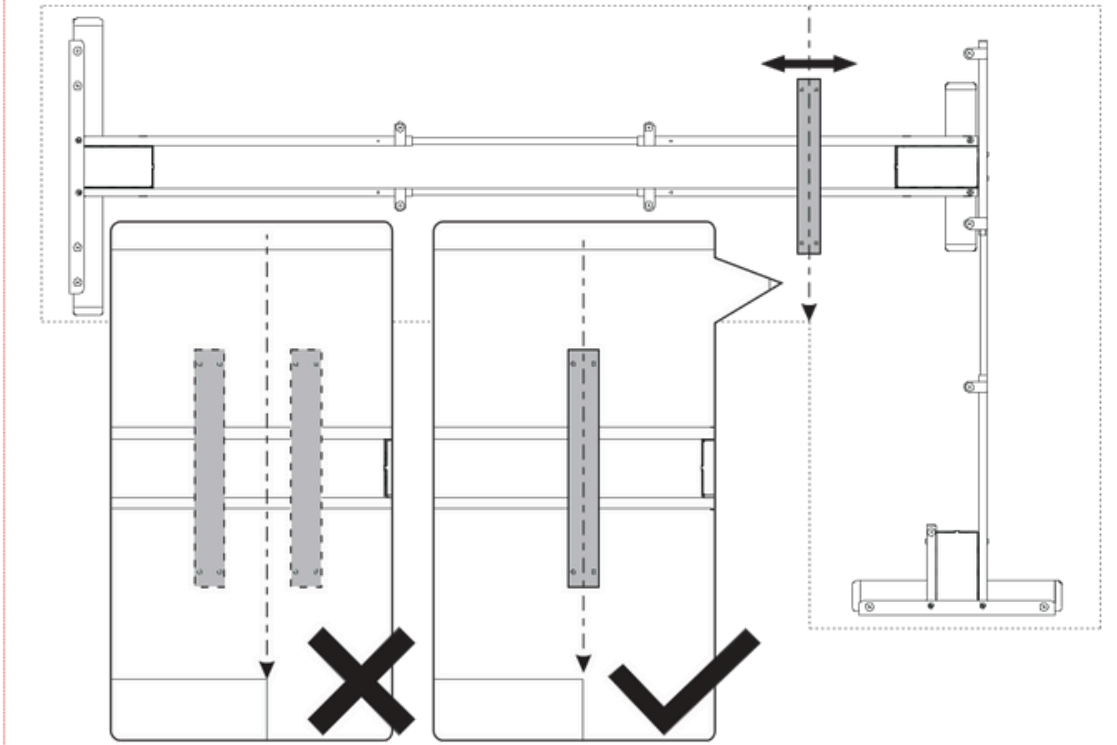


**Step A-9** Adjusting the beam

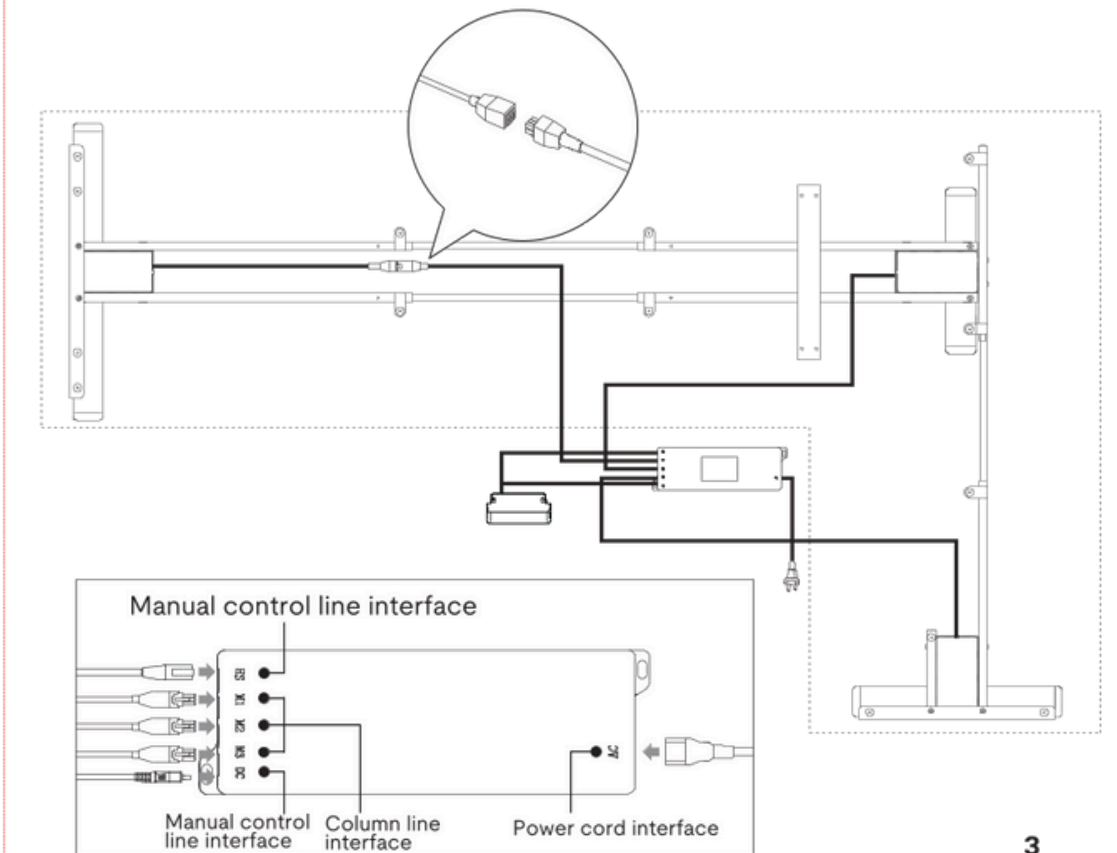


**Step A-10** Adjust the support tube position

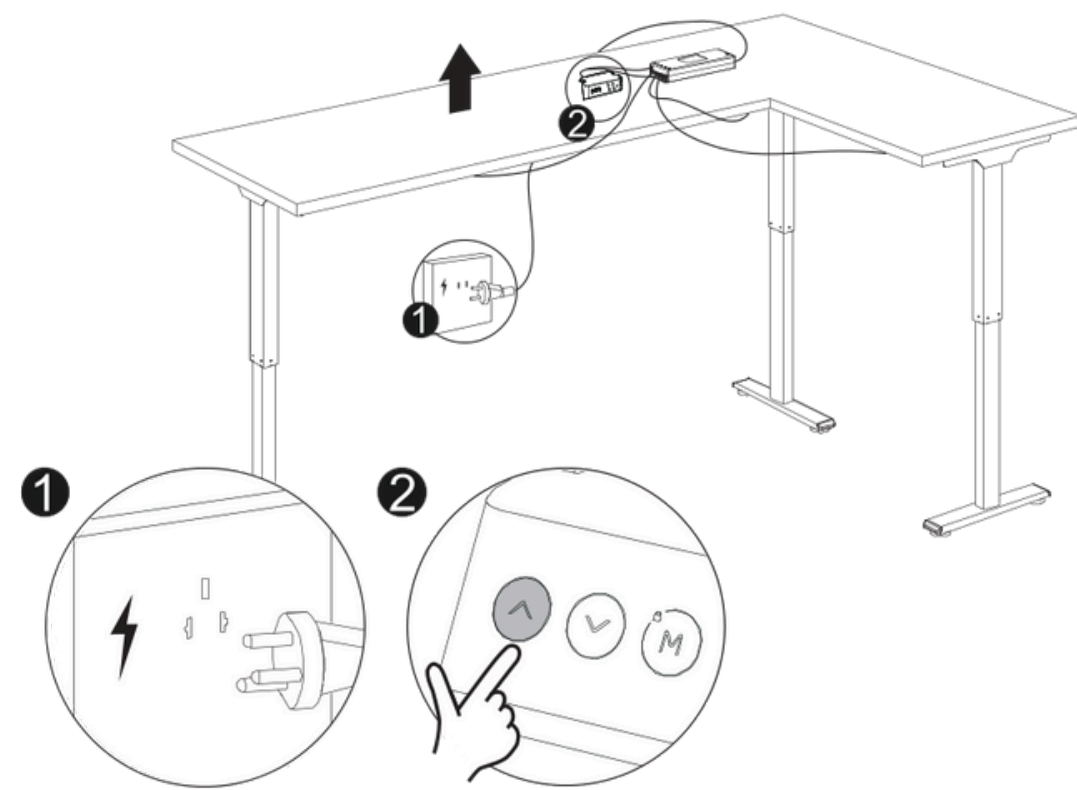
⚠ If you use a spliced table top, the support tube needs to be at the joint.



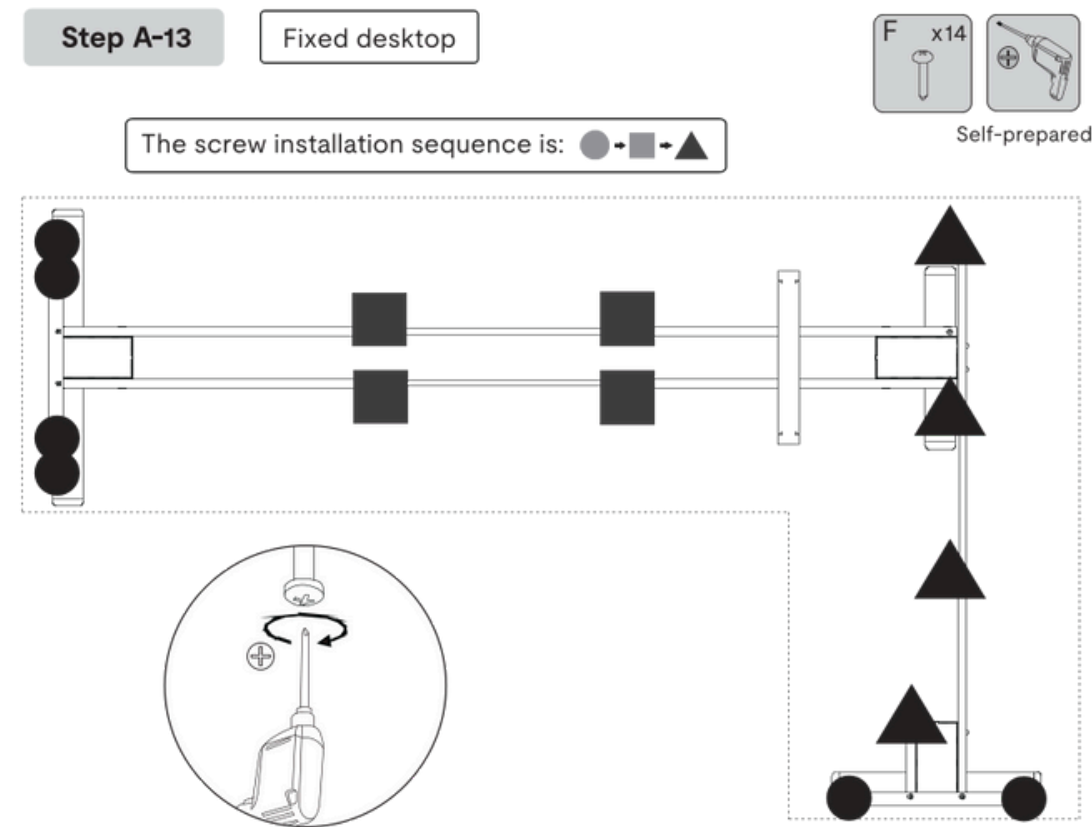
**Step A-11** Connect the wires



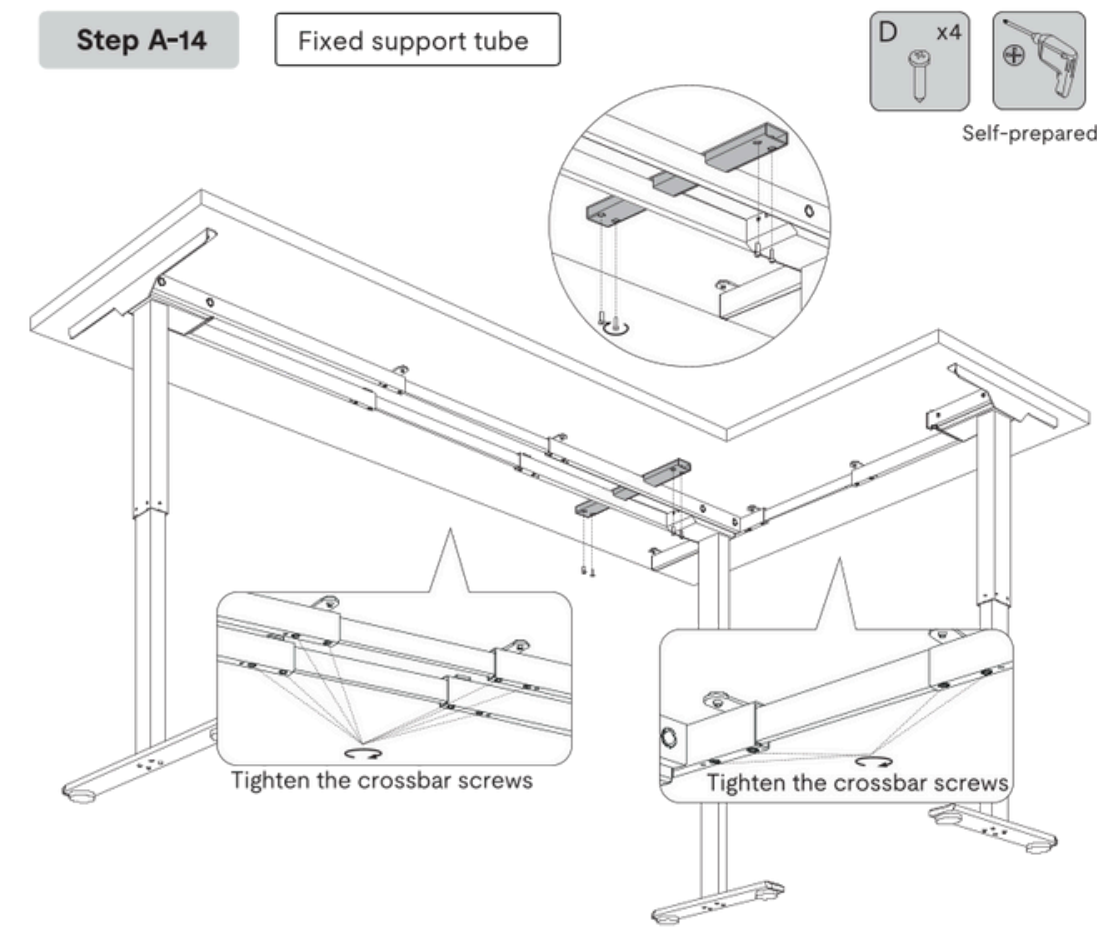
**Step A-12** Raise the desk frame



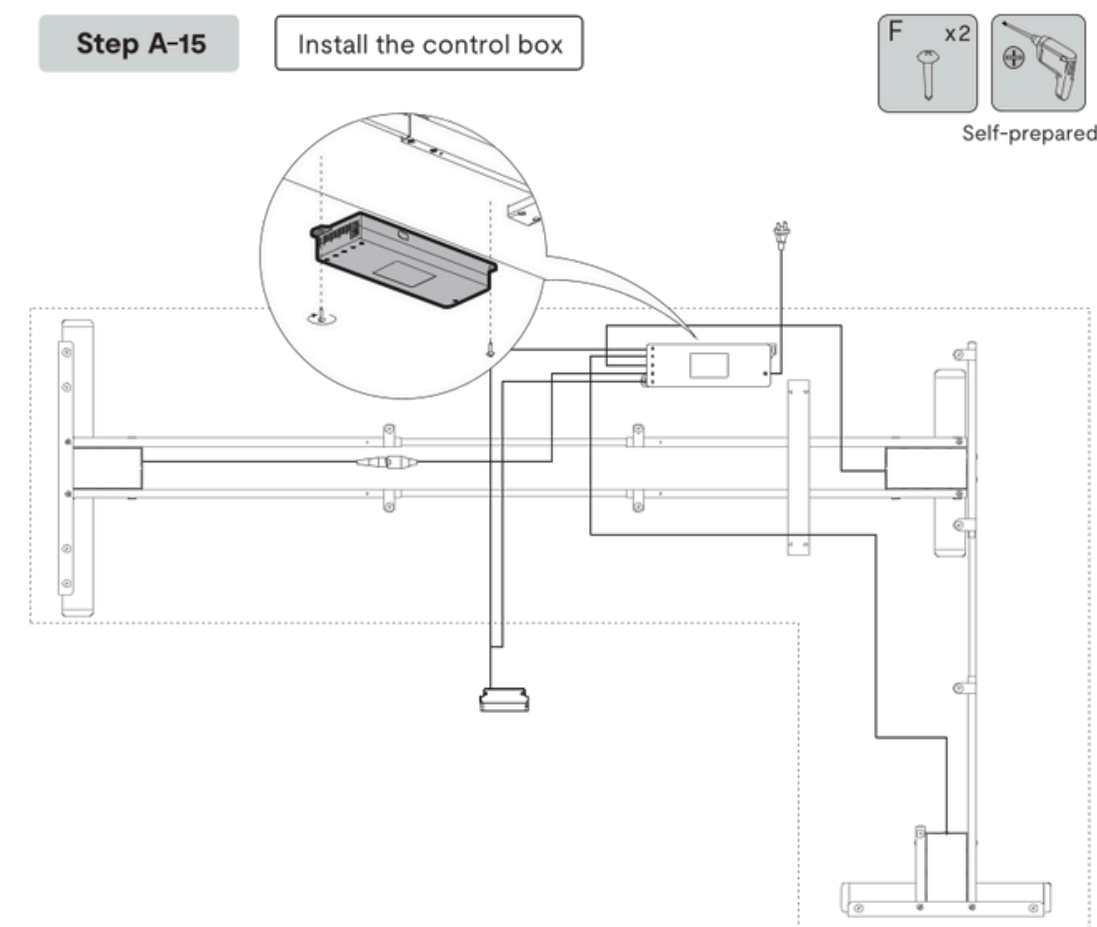
**Step A-13** Fixed desktop



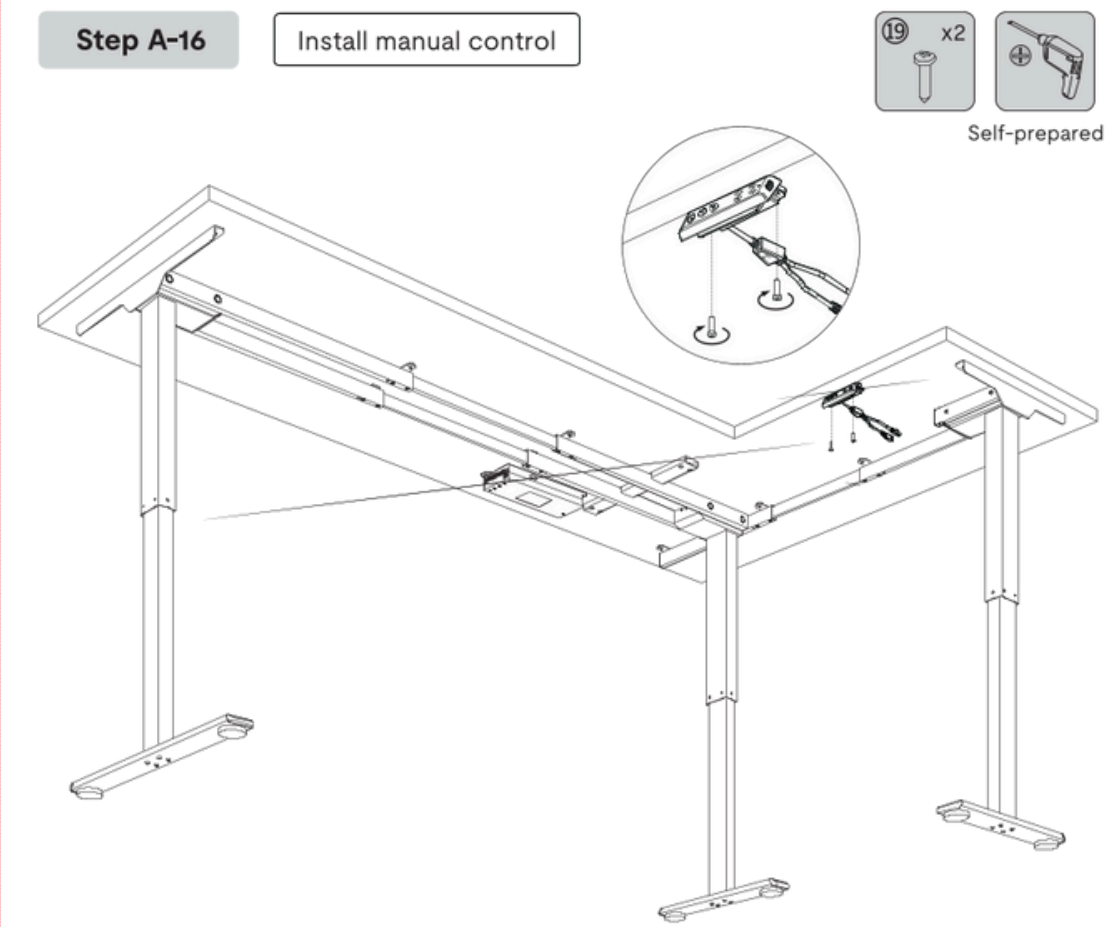
**Step A-14** Fixed support tube



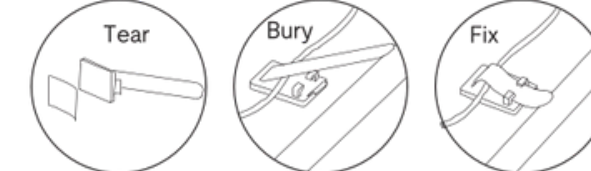
**Step A-15** Install the control box



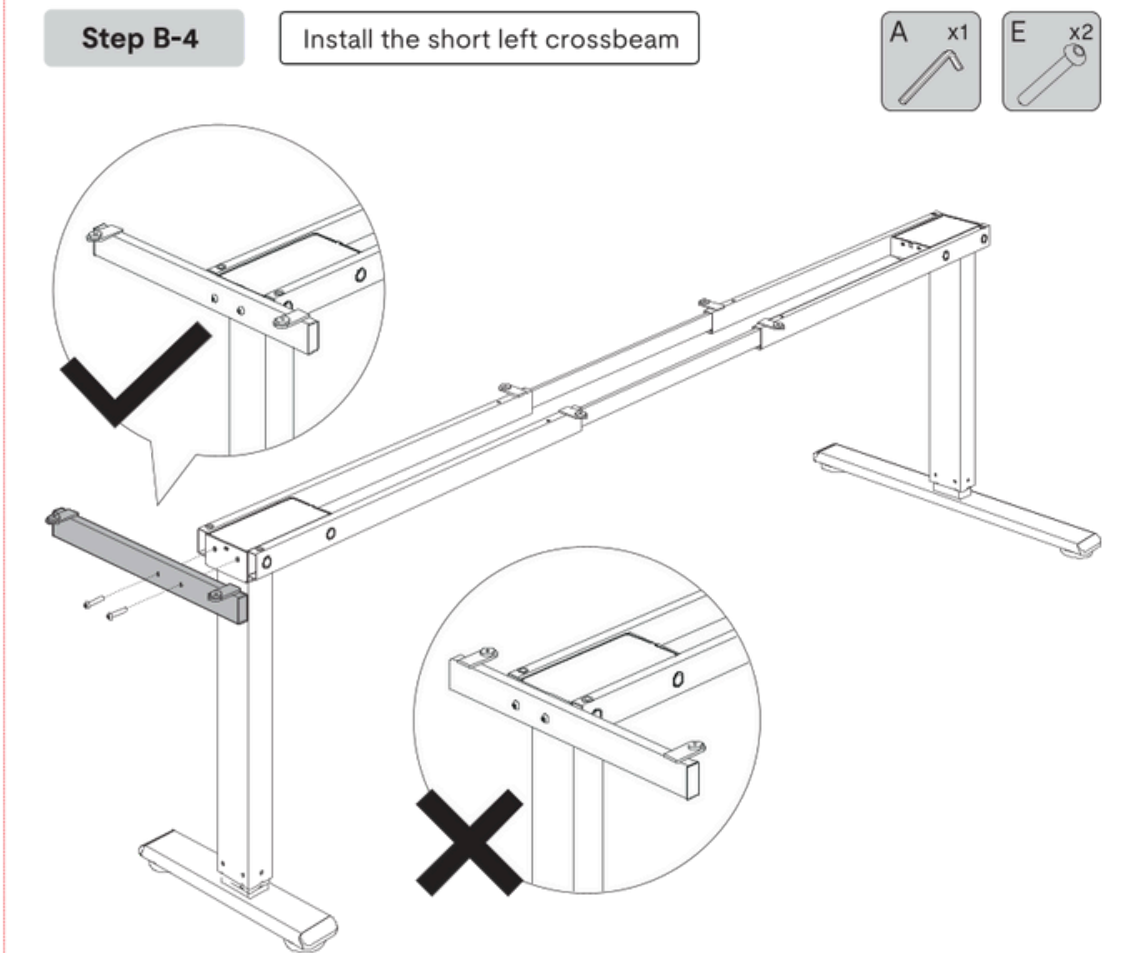
**Step A-16** Install manual control



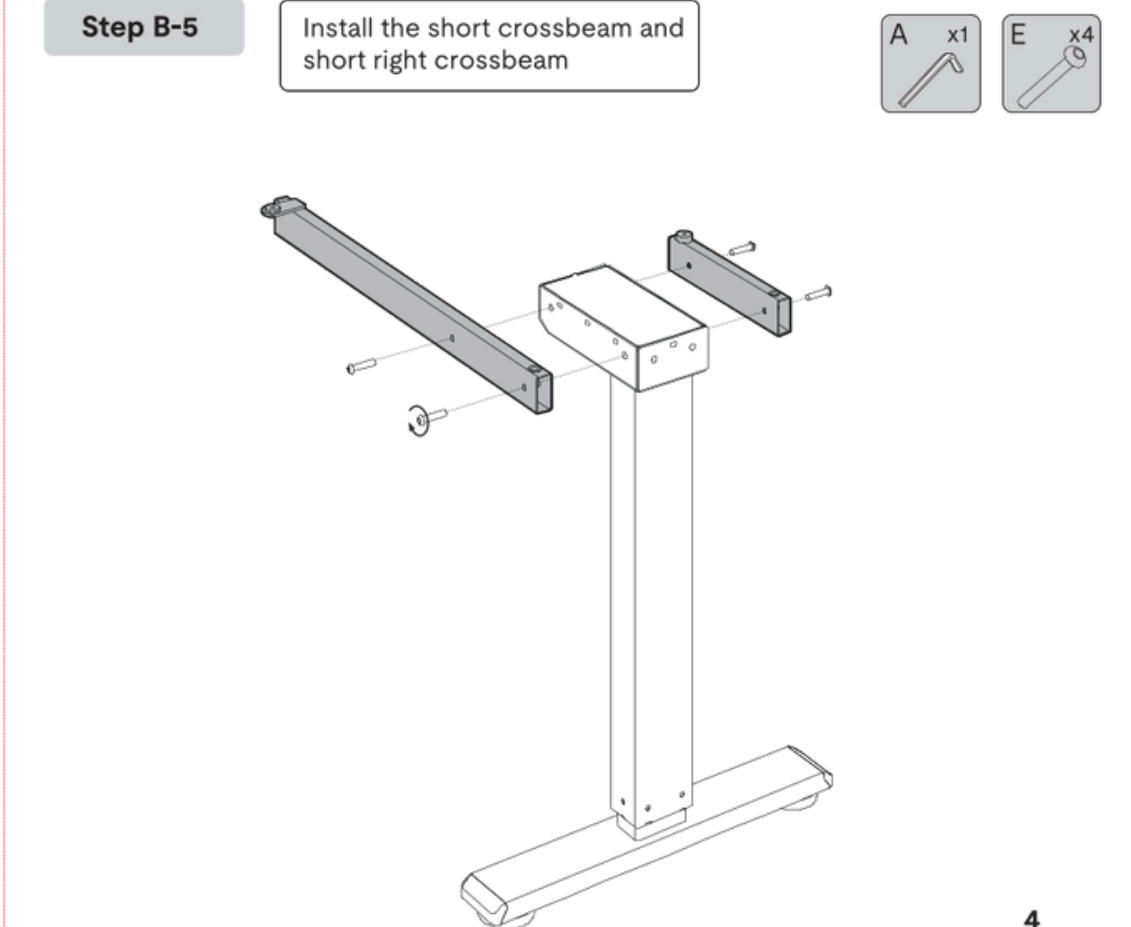
Cable ties can be used to secure the cables to the desktop to keep them tidy.



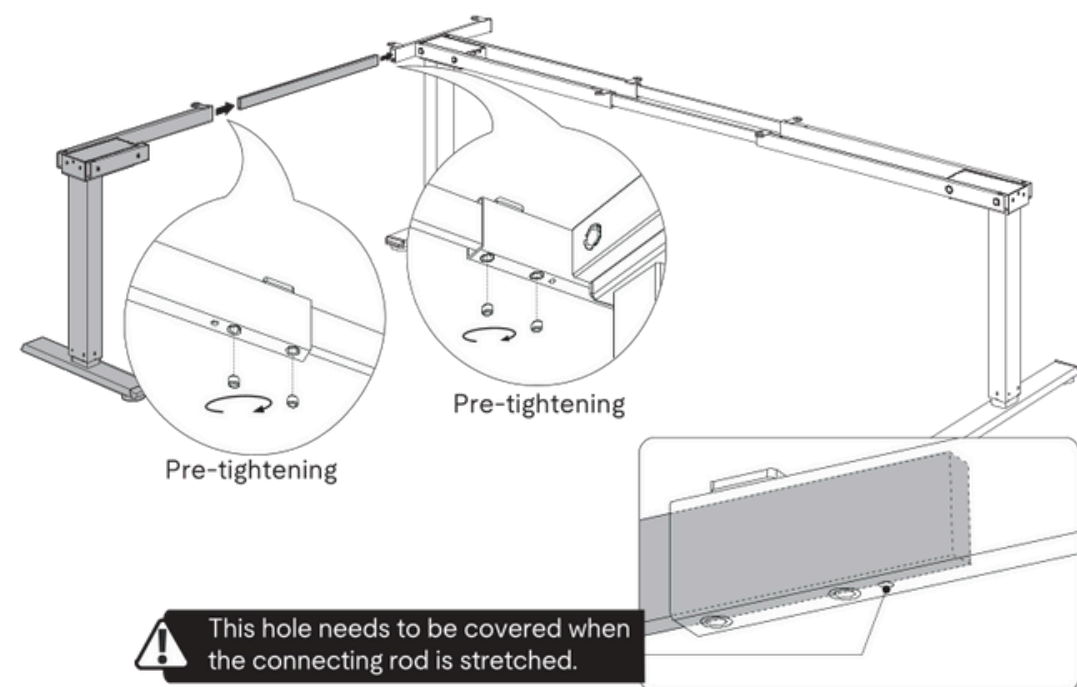
**Step B-4** Install the short left crossbeam



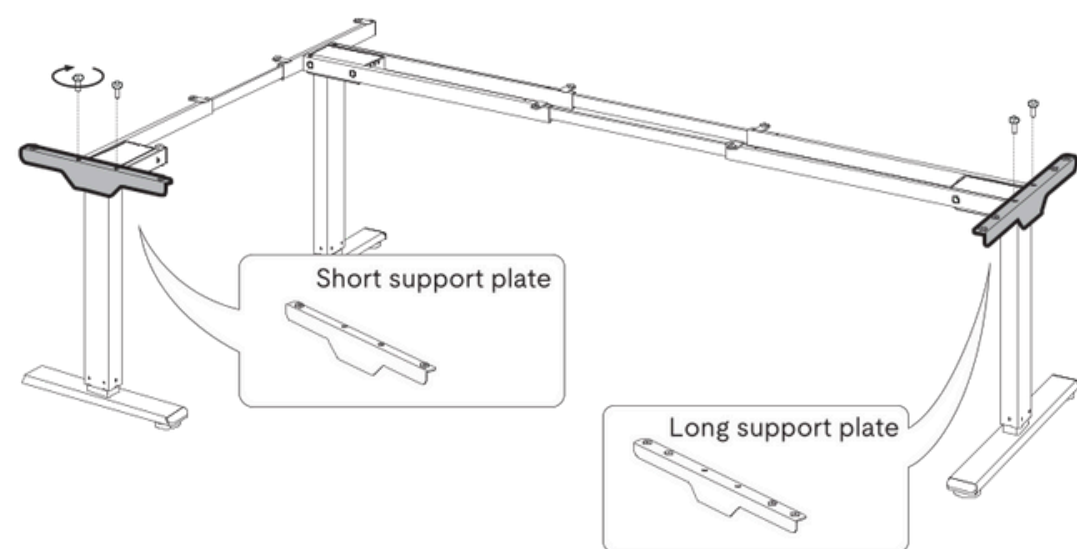
**Step B-5** Install the short crossbeam and short right crossbeam



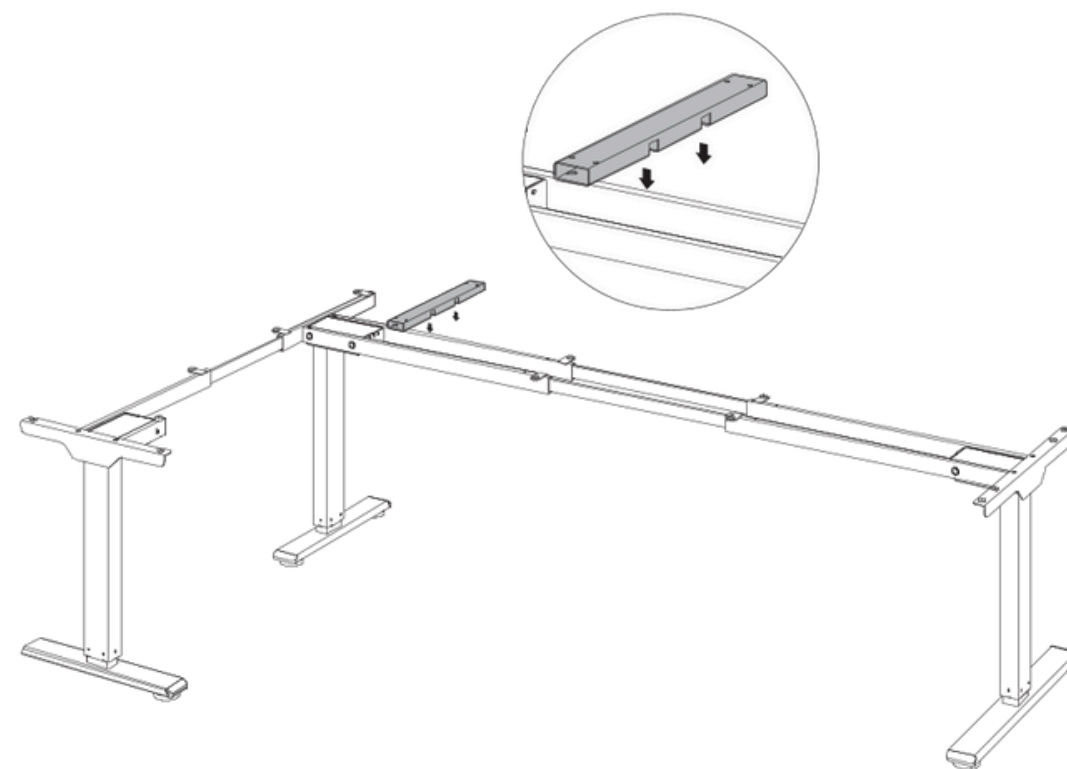
**Step B-6** Install the short connecting rod



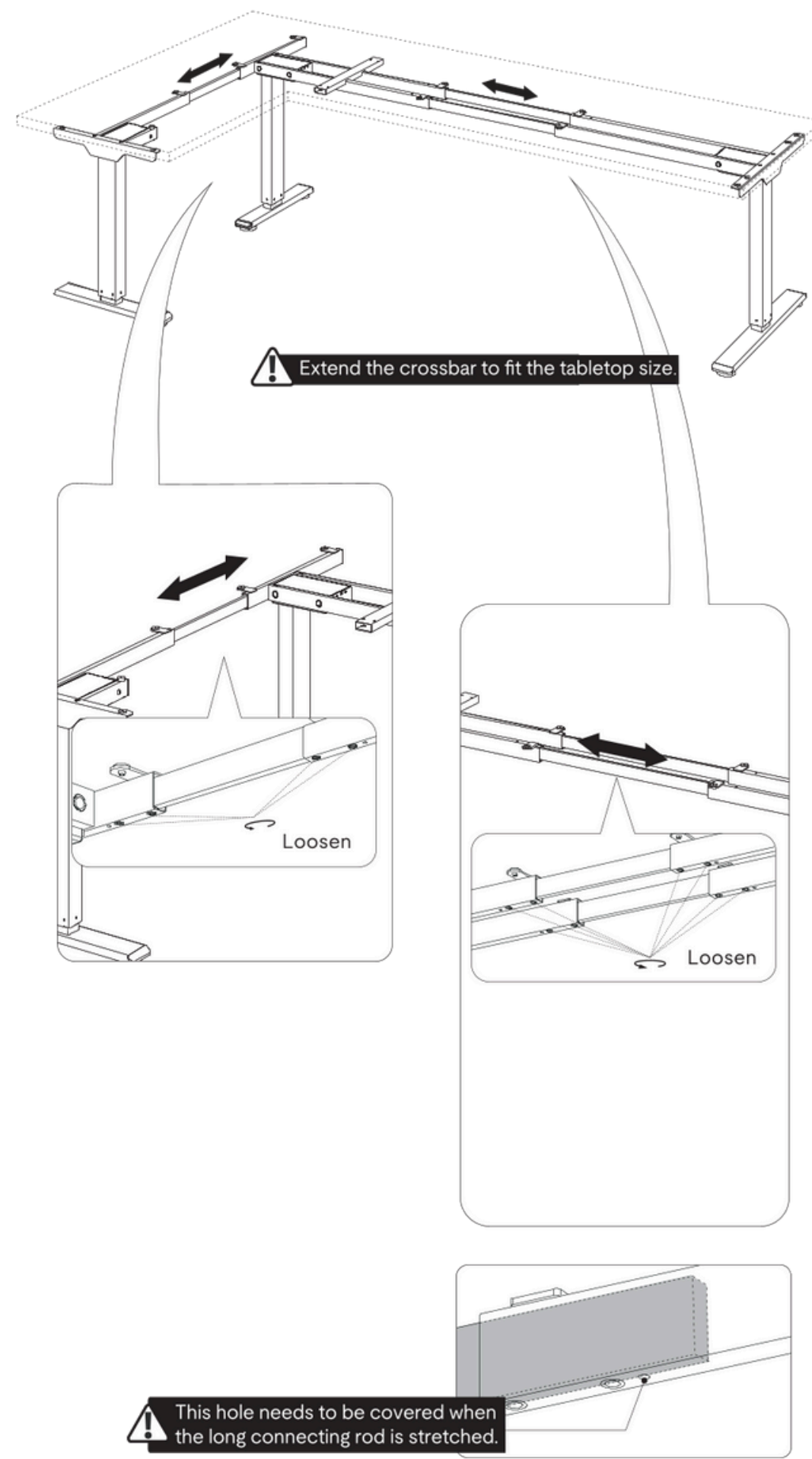
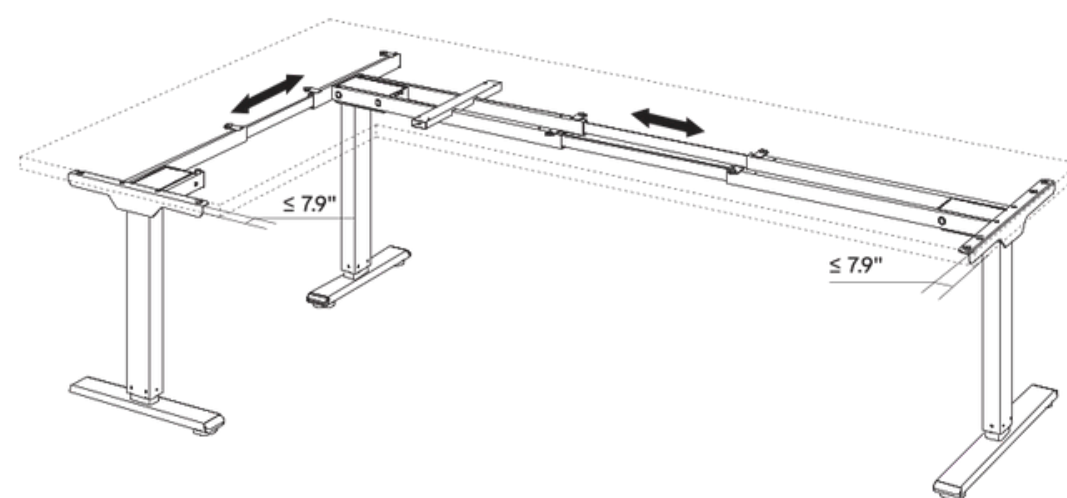
**Step B-7** Install the support plate



**Step B-8** Install the support tube

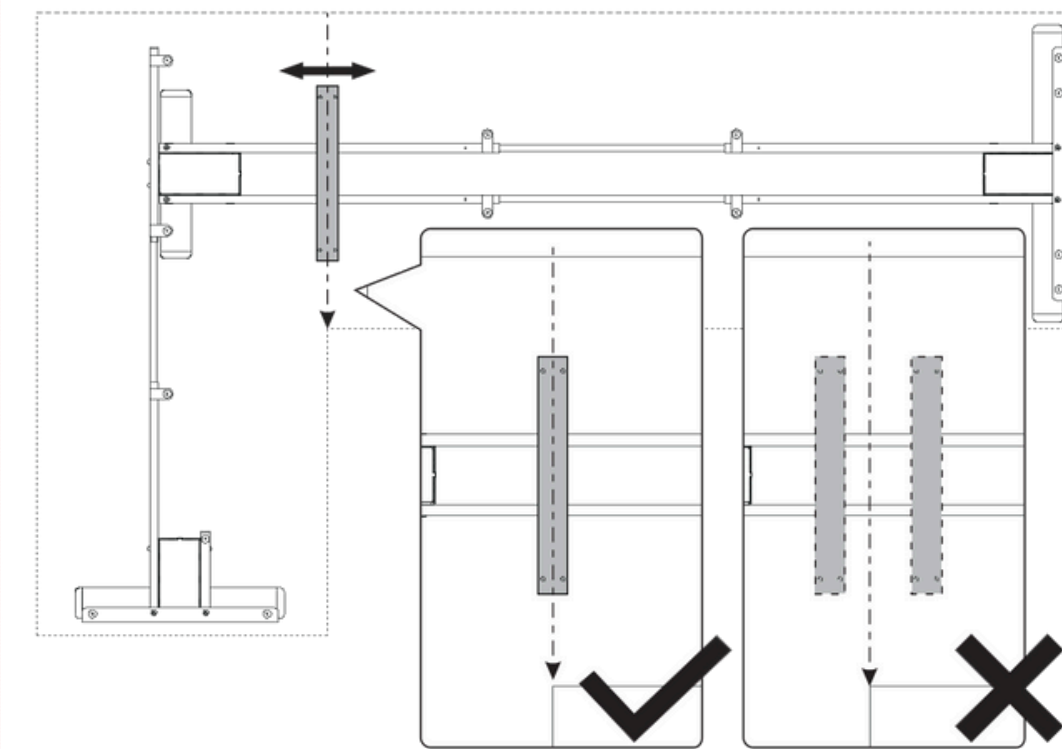


**Step B-9** Adjusting the beam

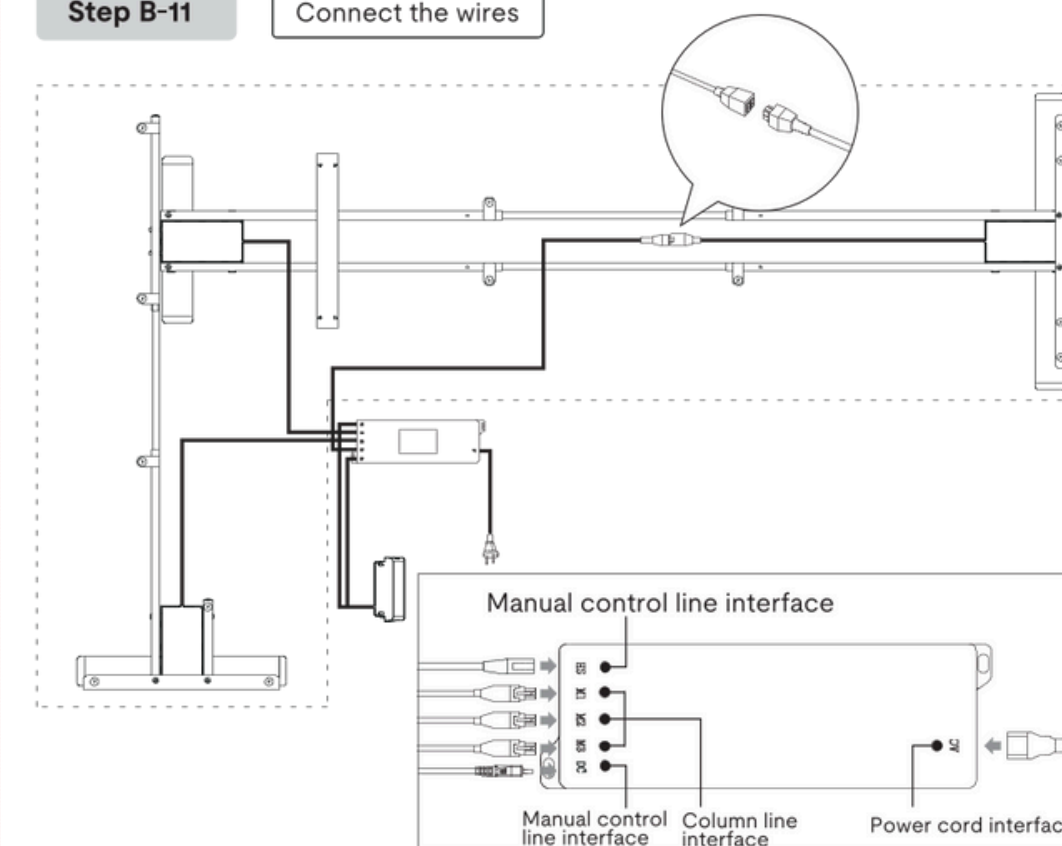


**Step B-10** Adjust the support tube position

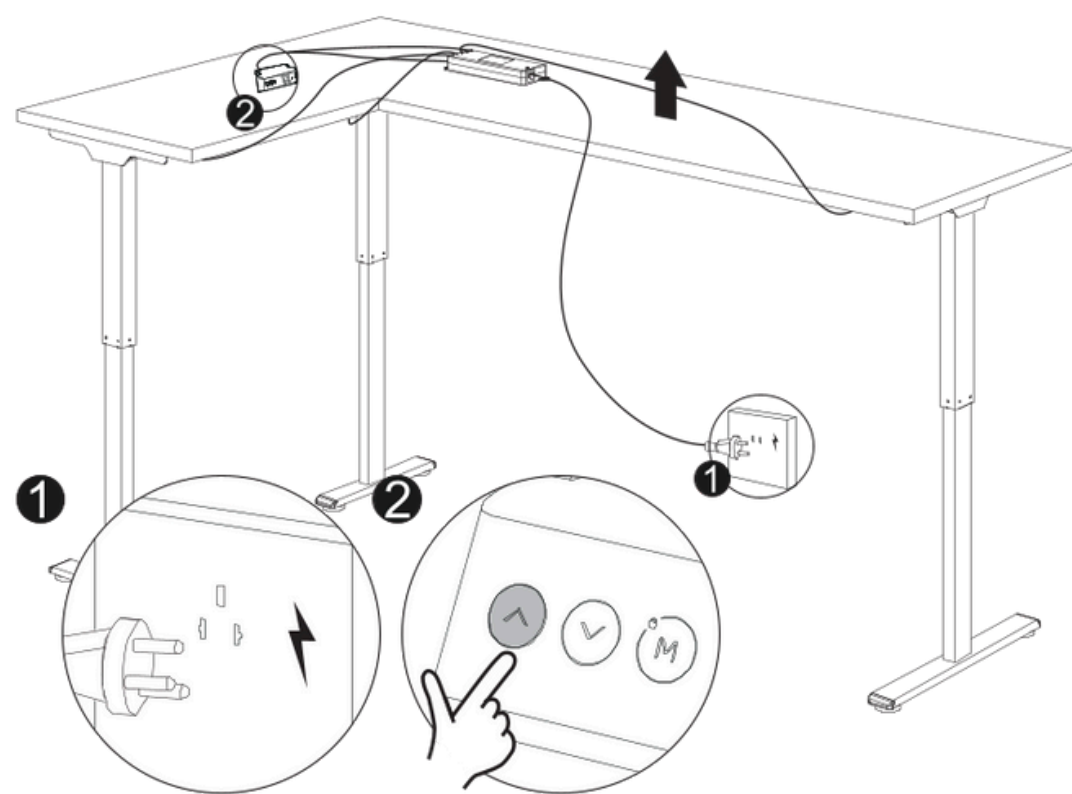
⚠ If you use a spliced tabletop, the support tube needs to be at the joint.



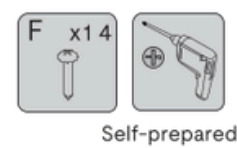
**Step B-11** Connect the wires



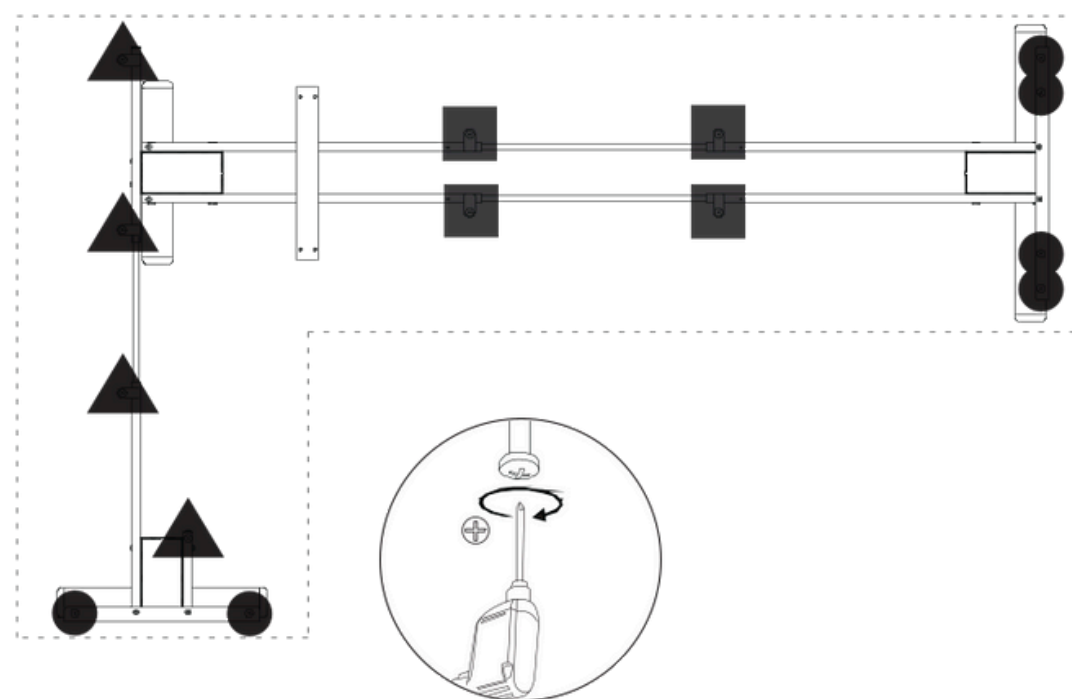
**Step B-12** Raise the desk frame



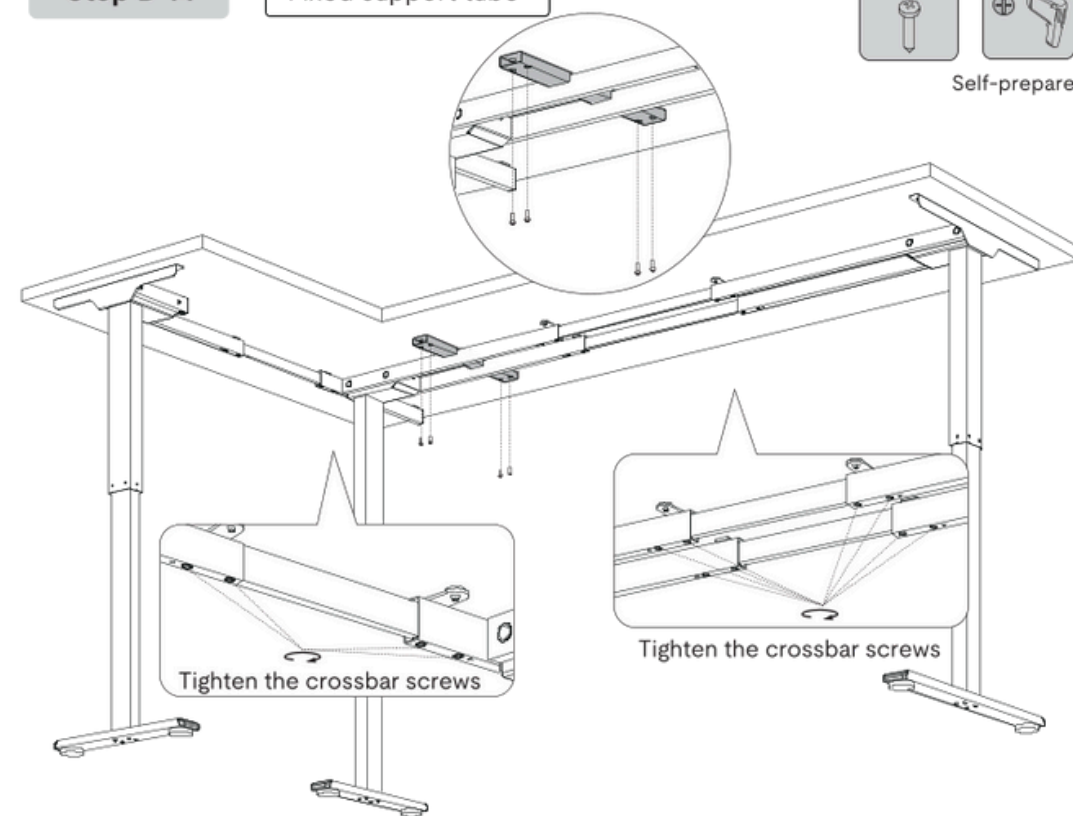
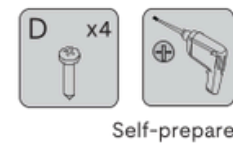
**Step B-13** Fixed desktop



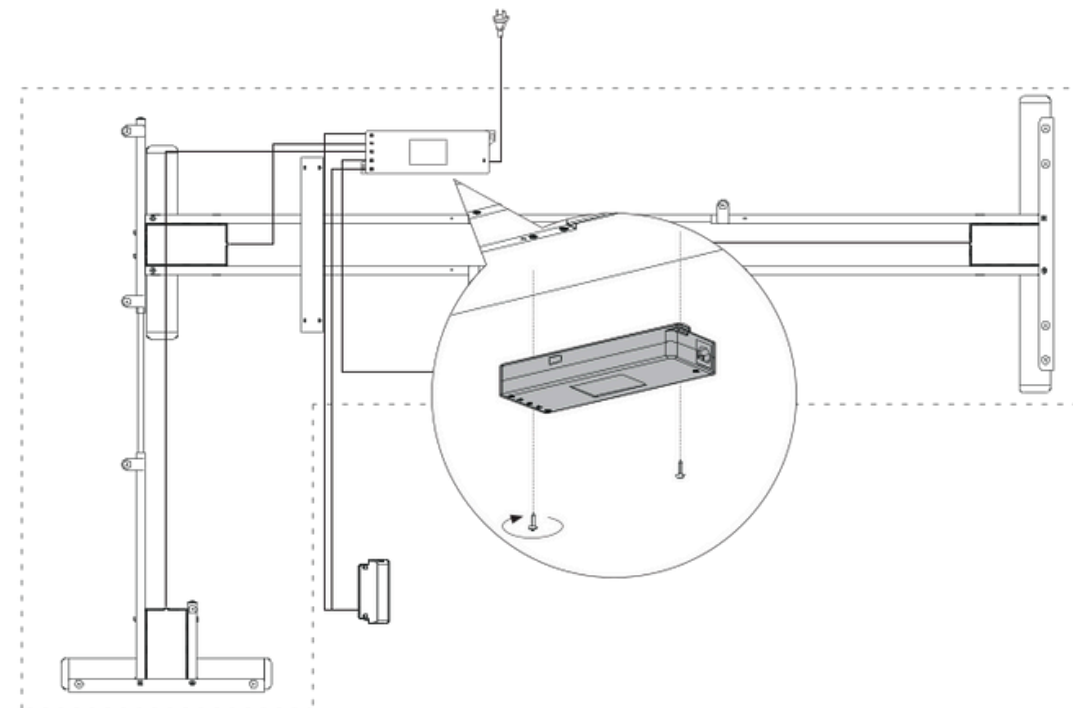
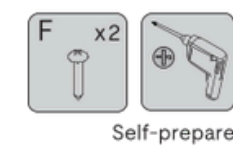
The screw installation sequence is: ●-■-▲



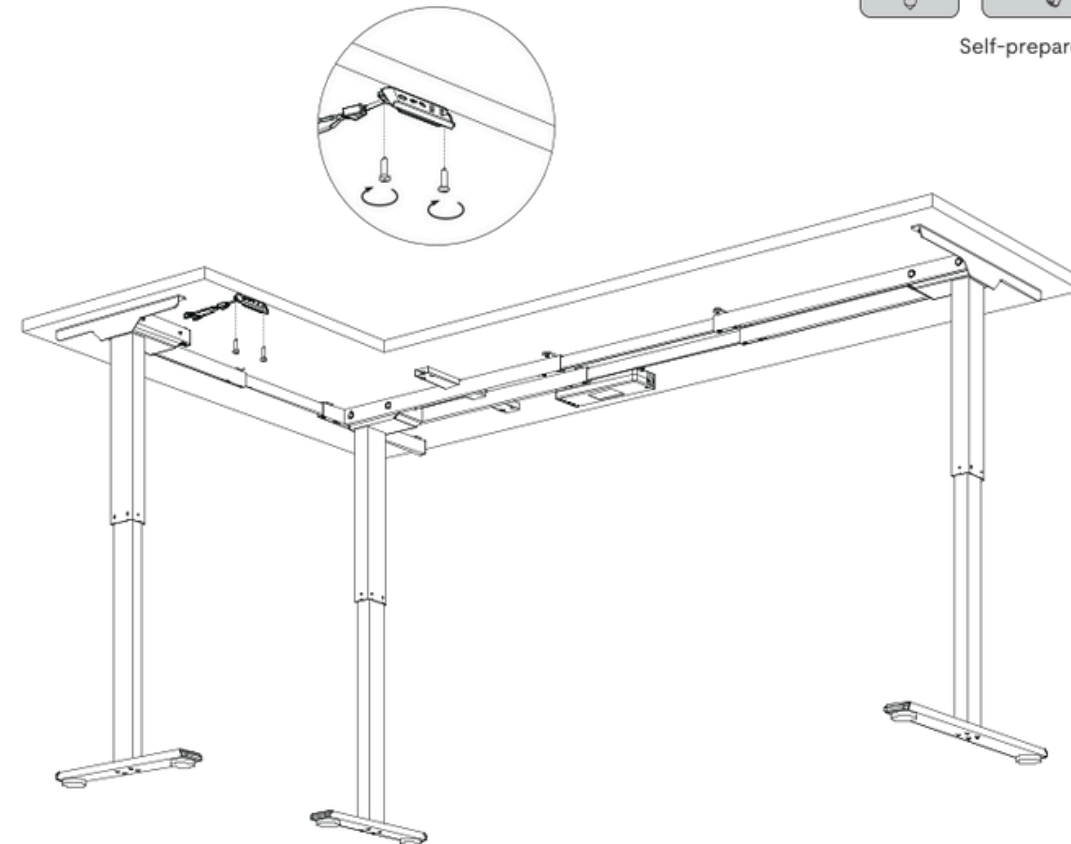
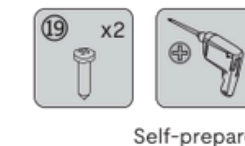
**Step B-14** Fixed support tube



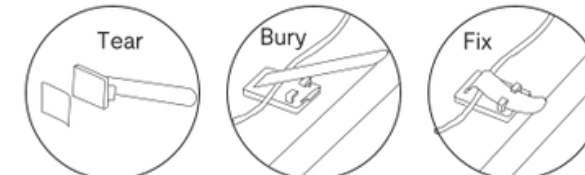
**Step B-15** Install the control box



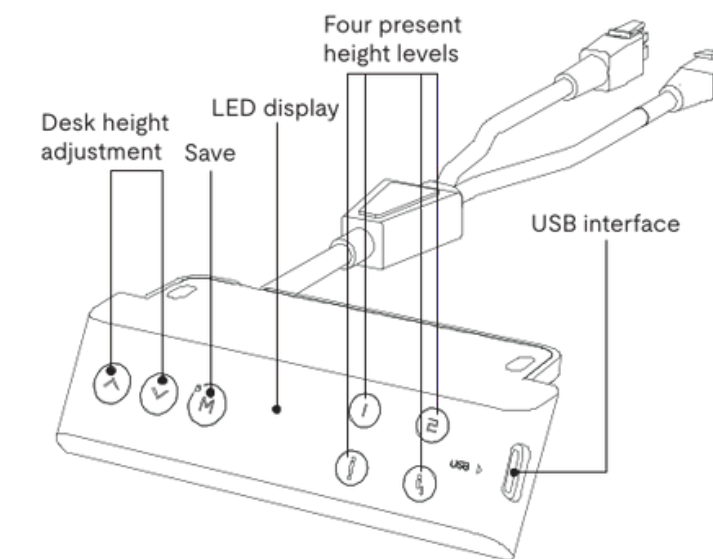
**Step B-16** Install manual control



Cable ties can be used to secure the cables to the desktop to keep them tidy.



**USER INSTRUCTIONS**



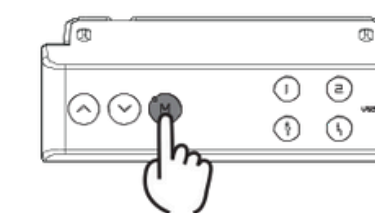
**Note**

Please ensure there are no obstacles during the desk's height adjustment to guarantee that all cables are long enough for the desk's movement.

**Recommendations**

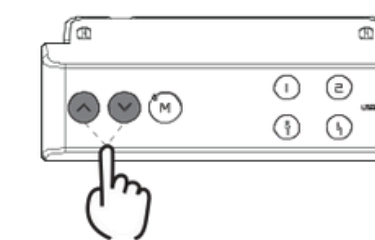
Set your most comfortable height when seated as 'h<sub>1</sub>' and your most comfortable standing height as 'h<sub>2</sub>'. The other present heights can be freely set to different heights.

● **Child Lock Function**



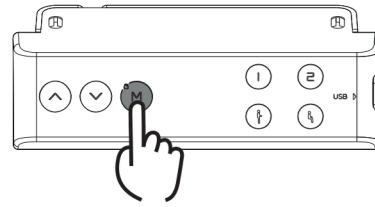
- When the child lock is turned on, the blue indicator light of the child lock is on; (right above "V" and "M");
- Press the button and the indicator light flashes once;
- To unlock or lock the child lock, you need to press and hold the "M" button for about 5 seconds;
- After the child lock function is unlocked, all buttons can work normally.

● **Height Adjustment Function**

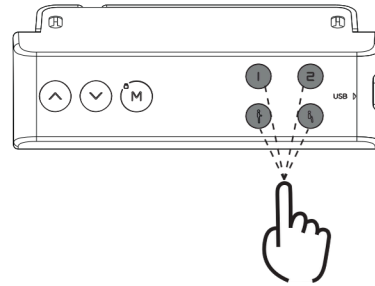


- You can adjust the height of the desk up or down by pressing the "▲" or "▼" key, with the current height displayed on the screen.

● **Memory Height Function**

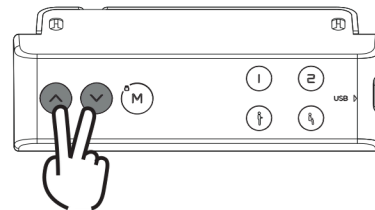


a. Press the up or down key to adjust the lifting table to the required height. Press the "M" key to save the current height, and the display screen will display "5-". Press "1" or "2" or "↑" or "↓" to save the height to the corresponding position "1" or "2" or "↑" or "↓", and the corresponding display screen will display "5-1" or "5-2" or "5-3" or "5-4".



b. Press "1" or "2" or "↑" or "↓" key, and the lifting table will automatically adjust to the previously saved position.

● **Anti-collision Sensitivity Adjustment--optional Function**



a. Simultaneously press and hold the "∧" and "∨" keys for 5 seconds to switch sensitivity. Each press changes to the next level, with a total of four levels. ( R-0 , R-1 , R-2 , R-3 )

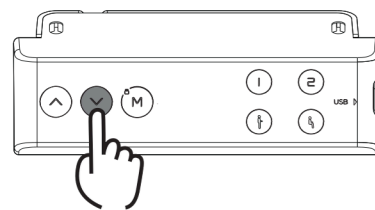
- " R-0 " : Turn off anti-collision function
- " R-1 " : Low sensitivity
- " R-2 " : Medium sensitivity
- " R-3 " : High sensitivity

b. Encounters an obstacle during movement, it will immediately reverse to protect from collision.  
 c. Simultaneously press and hold the "∧" and "∨" keys for 5 seconds to switch sensitivity. If the display screen does not show the above code, there is no anti-collision function.

● **USB Port Charging Function**

a. USB interface output: PD3.0: 5V 3A/9V 2.2A/12V 1.67A , +5%

● **Code Processing**



a. Reset function definition: The display shows "R5f" or "r5t". At this time, keep pressing the down key "∨" until the lifting table drops to the lowest position and rebounds to stop. The display shows the lowest height. Release the "∨" down key, the reset is completed, and the desk can be used normally.

b. If the display screen shows "E01" or "E02", please allow the desk to rest for over 18 minutes before using it again.  
 c. If other error codes appear and the "∨" key does not respond, please check the connection cables are undamaged and properly connected. Disconnect the power for more than 10 seconds, then reconnect the power. The display screen should show R5f" or "r5t". After that, press and hold "∨" key to reset.  
 d. If you have performed the above operations and the desk still does not function properly, please contact customer service.

**COMMON EXCEPTION HANDLING**

The following tips will help you detect and resolve common exceptions and errors. If you encounter an exception that is not listed in the table below or if the following actions do not resolve the issue, please contact your supplier. All these exceptions or errors can only be investigated and corrected by the manufacturer or trained personnel.

Exception Phenomena	Handling Methods
Electronic functions are not operating normally	Check if the connection cables are properly connected;
Slow rising speed	Check if the load is too heavy, exceeding 330 lbs;
Device is sliding down	
Device frequently enters reset mode	
Only goes down or only goes up	Perform a reset operation;
Insufficient height adjustment for rising and lowering	
Bottom cannot rise	Disconnet power for 18 minutes before reconnecting;
After exceeding the operating cycle requirements. ( Duty cycle:Max 2min on/18min OFF )	
The power supply module cannot be used	It is necessary to reset or wait for 1s after rising or falling before using;
Pressing the down key causes the device to rise instead	Check for obstacles under the desk or if any cables are hanging down;



- 300 Goddard, Irvine, CA 92618
- inquiry@flexispotpro.com
- www.flexispotpro.com
- +1(888)868-8446

**Recycling and Disposal**



This product cannot be disposed of as household waste. To prevent damage to the environment, this product should be recycled. Please use the relevant recycling systems available to you or contract the distributor or manufacturer for recycling assistance.